

# ART 6200 PN25

## PN25 Adjustable Pressure Reducing Valve



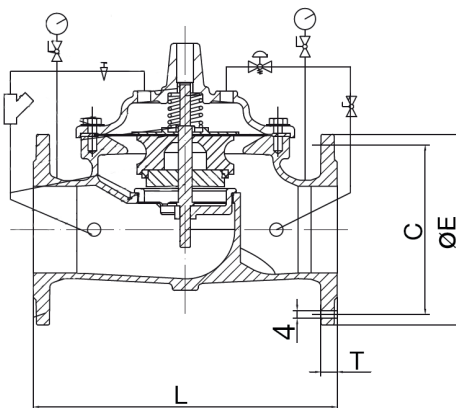
### Features

- Automatic Control Valve
- Pressure adjusted by integral pilot valve
- Conforms to BS EN558-1 Series 1
- Flange conforms to BS EN1092 PN25
- Available flanged PN16
- Stainless Steel pilot tubing and valves
- WRAS Approved Epoxy Coating and Polymers

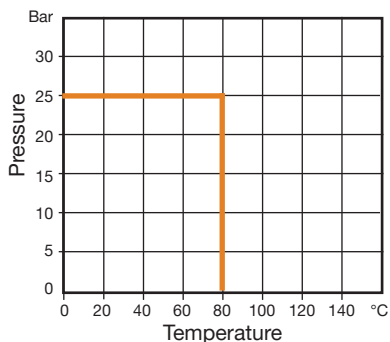
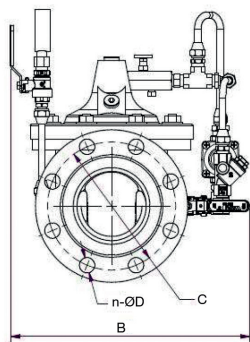
### Technical data

Max pressure: 25 Bar

Working temp: 0°C to +80°C



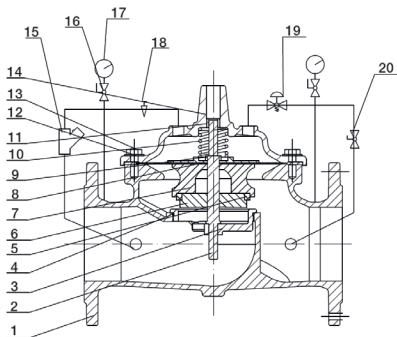
DN	50	65	80	100	125	150	200	250	300
L	230	290	310	350	400	480	600	730	850
C	125	145	160	190	220	250	310	370	430
E	165	185	200	235	270	300	360	425	485
T	19	19	19	19	19	20	22	24,5	27,5
B	265	300	310	320	350	385	440	505	560
n-Ød	4-19	4-19	8-19	8-23	8-28	8-28	12-28	12-31	16-31



V1. Dimensions in mm

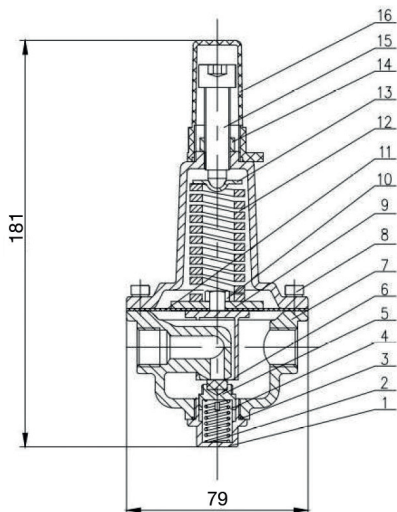
This data sheet is designed as a guide and should not be regarded as wholly accurate in every detail. We reserve the right to amend the specification of any product without notice.

# ART 6200 PN25



N.	Part Name	Materials
1	Body	Ductile Iron
2	Stem	Stainless Steel 304
3	Seat	Stainless Steel 304
4	O-Ring	NBR
5	Disc Ring	NBR
6	Disc Retainer	Ductile Iron
7	Disc Guide	Ductile Iron
8	Diaphragm	EPDM
9	Diaphragm Washer	Ductile Iron
10	Spring	Stainless Steel 304
11	Cover Bearing	Stainless Steel 304
12	Screw	Stainless Steel 304
13	Washer	Stainless Steel 304
14	Cover	Ductile Iron
15	Strainer	Stainless Steel 304
16	Ball Valve	Stainless Steel 304
17	Gauge	Stainless Steel 304
18	Needle Valve	Stainless Steel 304
19	Pilot Valve	Stainless Steel 304
20	Ball Valve	Stainless Steel 304

## Pilot Valve Detail - ART 6250



N.	Part Name	Materials
1	Plug	Stainless Steel 304
2	Spring	Stainless Steel 304
3	O-Ring	NBR
4	Seat	Stainless Steel 304
5	Disc	NBR
6	Yoke	Stainless Steel 304
7	Body	Stainless Steel 304
8	Screw	Stainless Steel 304
9	Diaphragm Washer	Stainless Steel 304
10	Nut	Stainless Steel 304
11	Diaphragm	EPDM
12	Spring	Stainless Steel 304
13	Spring Holder	Stainless Steel 304
14	Locking Nut	Stainless Steel 304
15	Adjusting Screw	Stainless Steel 304
16	Cap	ABS

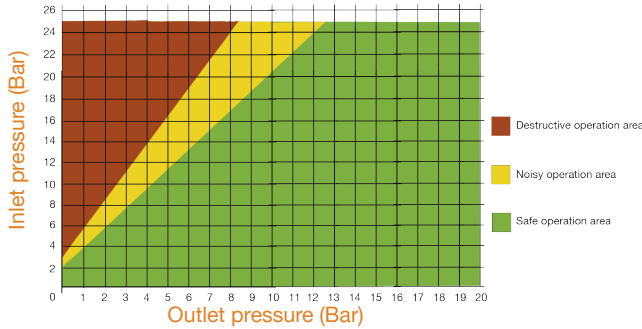
Fitted with standard Pilot Valve  
0.70 to 12.00 Bar (10 to 175 PSI)  
Factory set to 3.5 Bar (50 PSI)

Other Pilot Valves available  
1.40 to 12.00 Bar (20 to 175 PSI)  
2.10 to 20.00 Bar (30 to 300 PSI)

# ART 6200 PN25



## Cavitation Chart



## Flow Volume vs Velocity (water)

Size DN	Volume m <sup>3</sup> /h													
	0.4 m/s	0.6 m/s	0.8 m/s	1.0 m/s	1.2 m/s	1.4 m/s	1.6 m/s	1.8 m/s	2.0 m/s	2.2 m/s	2.4 m/s	2.6 m/s	2.8 m/s	3.0 m/s
50	2.8	4.2	5.7	7.1	8.5	9.9	11.3	12.7	14.1	15.6	17.0	18.4	19.8	21.2
65	4.8	7.2	9.6	11.9	14.3	16.7	19.1	21.5	23.9	26.3	28.7	31.1	33.4	35.8
80	7.2	10.9	14.5	18.1	21.7	25.3	29.0	32.6	36.2	39.8	43.4	47.0	50.7	54.3
100	11.3	17.0	22.6	28.3	33.9	39.6	45.2	50.9	56.5	62.2	67.9	73.5	79.2	84.8
125	17.7	26.5	35.3	44.2	53.0	61.9	70.7	79.5	88.4	97.2	106.0	114.9	123.7	132.5
150	25.4	38.2	50.9	63.6	76.3	89.1	101.8	114.5	127.2	140.0	152.7	165.4	178.1	190.9
200	45.2	67.9	90.5	113.1	135.7	158.3	181.0	203.6	226.2	248.8	271.4	294.1	316.7	339.3
250	70.7	106.0	141.4	176.7	212.1	247.4	282.7	318.1	353.4	388.8	424.1	459.5	494.8	530.1
300	101.8	152.7	203.6	254.5	305.4	356.3	407.1	458.0	508.9	559.8	610.7	661.6	712.5	763.4

Note; for good pressure control within the valves optimum flow rate, the pressure reducing valve should be sized on a velocity of 1 to 2m/s.

## Flow curve of the main valve at fully open status

