

ART 963

PN16 Stainless Steel Wafer Check Valve

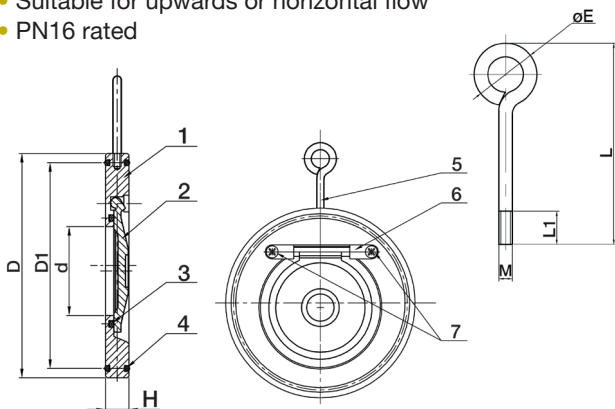


Technical data

Max pressure: 16 Bar
Working temp: -25°C to +180°C

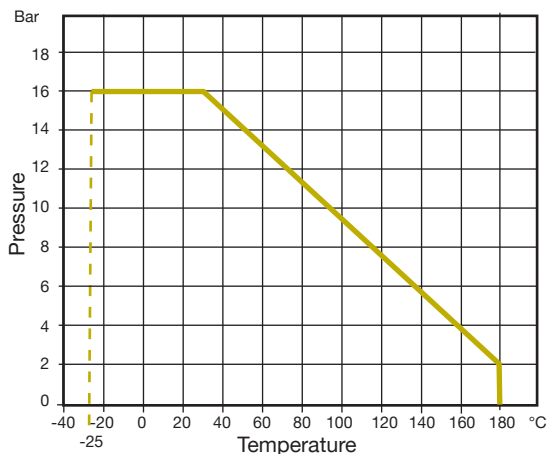
Features

- Wafer pattern to suit PN16 & ANSI 150 flanges
- Suitable for upwards or horizontal flow
- PN16 rated



DN	2"	2 1/2"	3"	4"	5"	6"	8"	10"	12"
d	32	40	54	70	92	114	154	200	230
D	105	124	136	164	194	220	275	330	384
D1	84.0	96.0	117.5	148.0	166.0	197.0	249.0	310.0	358.0
H	14	14	14	18	18	20	22	26	30
L	74	74	74	90	90	90	120	120	145
L1	13	13	13	13	13	13	15	15	20
M	M5	M5	M5	M6	M6	M6	M8	M8	M10
ØE	23	23	23	28	28	28	37	37	45
Kv	27.5	45.5	69.0	113.0	168.0	231.0	314.0	425.0	550.0
Kgs	0.79	1.10	1.30	2.26	3.15	4.54	7.65	12.63	19.95

N.	Part Name	Materials
1	Body	CF8M
2	Disc	CF8M
3	Disc O-Ring	Viton
4	External O-ring	Viton
5	Hook	Stainless Steel 304
6	Stem Stopper	Stainless Steel 316
7	Axis Screw	Stainless Steel 316



V2 Dimensions in mm

This data sheet is designed as a guide and should not be regarded as wholly accurate in every detail. We reserve the right to amend the specification of any product without notice.