

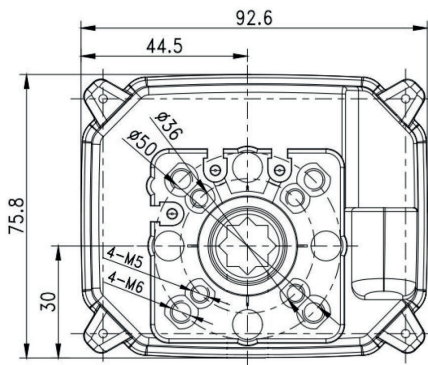
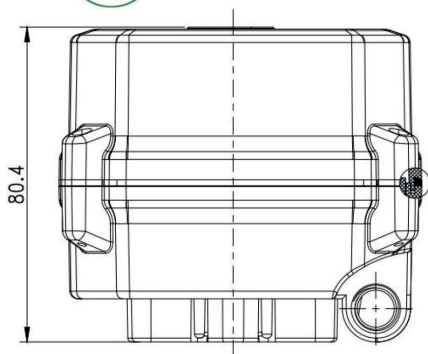
AL15

Electric Actuator for Albion ball valves



Features

- Small, light and compact design
- Manual override and indication window
- 4-20mA Modulating option
- 2 extra limit switches included



Standard Specification

Enclosure	: IP67
Working voltage	: 24VAC&12-24VDC, 110-230VAC
Operating air temperature	: -15°C to 50°C
Maximum media temperature	: 90°C
Duty Cycle	: 40%
Gearbox	: Hardened Steel
Actuator Rotation	: 90°
Angle of Rotation	: 90° +/-2%
Manual Override	: Yes, with hex / allen key
Position Indicator Window	: Yes
Weight	: 1kg
Limit Switches	: 2
Max working pressure	: 1.0MPa
Working current	: ≤1A

Performance

Model	Maximum Output Torque	On / Off Time	Mounting base ISO 5211	Mounting
AL15	15NM	12 Secs	F03/F05	11mm Direct Mount 9mm with shim included

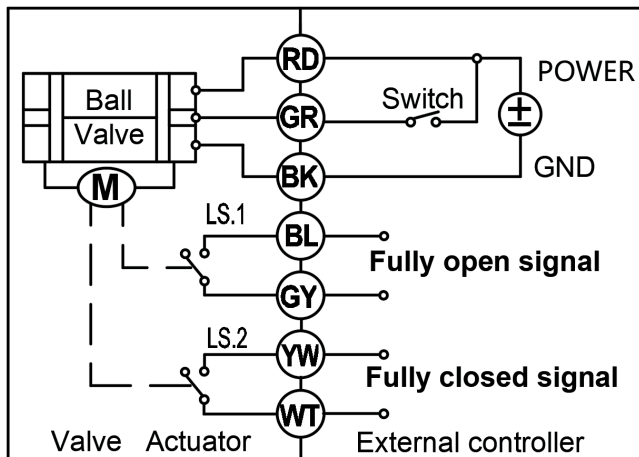
AL15

Electric Actuator for Albion ball valves



Wiring Diagrams

12V – 24V DC / 24V AC & 110V – 230V AC



12V – 24V DC 4 -20mA

