

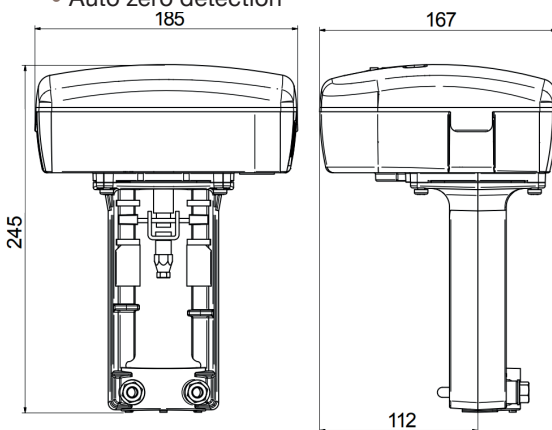
AL202 SR

Spring Return Control Actuator



Features

- To suit ART 202 PICV DN50-DN125
- Spring Return function, stem up or stem down version
- Self calibrating stroke up to 40mm
- 3-point floating or 0-10V modulating control within the same actuator
- Voltage control signal range can be selected by use of dip switches
- Linear or EQ% characterisation available on the same actuator
- Auto zero detection



Characteristics:	Motoric, modulating, spring return
Protection Class:	IP54 to EN 60529
Frequency:	50/60Hz
Control Signal:	0-10V DC or 3-point
Control Signal Impedance:	Min. 100 kOhm (0-10V)
Actuating Force:	600N / 900N
Stroke Max.	40mm
Running Time DN50-DN125	20s (0-10V). 60s or 300s (3-pos)
Ambient Operating Conditions:	-10°C to +50°C
Manual Operation:	Hexagonal key (included)
Cable:	Not included
Weight:	2.8Kgs

Valve Dimension	Technical Code	Function	Supply Voltage	Power Consumption
DN50-DN125	AELAAL202SRFO 24VAC/DC06	0-10 V / 3-pos Stem up	24V AC +/-20% 50-60Hz 24V DC +/-20%	30 VA (*50VA)
DN50-DN125	AELAAL202SRFC 24VAC/DC07	0-10 V / 3-pos Stem down	24V AC +/-20% 50-60Hz 24V DC +/-20%	30 VA (*50VA)

*Max Consumption for transformer sizing

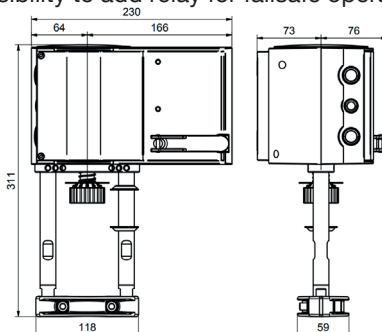
AL202 SR

Spring Return Control Actuator



Features

- To suit ART 202 PICV DN150-DN300
- 2/3 point floating, 4-20mA or 0-10V modulating control within the same actuator
- Self calibrating
- Linear or EQ% characterisation available on the same actuator
- Auto zero detection
- 0-10V Feedback signal
- Possibility to add relay for failsafe operation



Characteristics:	Motoric, modulating
Variant:	Spring Return
Protection Class:	IP66 to EN 60529
Frequency:	50/60Hz
Supply Voltage:	24V AC/DC 230 V AC (with accessory)
Control Signal:	0-10V DC, 4-20mA DC or 3-point/2-point floating
Control Signal Impedance:	Min. 100 Ω (0-10V)
Stroke Max.	48mm
Running Time	288s (Factory setting)
Ambient Operating Conditions:	0°C to +55°C
Manual Operation:	Manual Handle
Cable:	Cable glands 2 x M20 x 1.5 (Not included)
Weight:	4.2Kgs

Valve Dimension	Technical Code	Control Signal	Function	Actuator Force	Supply Voltage	Power Consumption
DN150- DN200	AELAAL202SRFO 24VAC/DC08	0-10V/4-20mA 2/3 point	Spring Return Stem up	1100N	24V AC +/-20% 24V DC +/-15%	10 W (*20VA)
DN150- DN200	AELAAL202SRFC 24VAC/DC09	0-10V/4-20mA 2/3 point	Spring Return Stem down	1100N	24V AC +/-20% 24V DC +/-15%	10 W (*20VA)
DN250- DN300	AELAAL202SRFO 24VAC/DC11	0-10V/4-20mA 2/3 point	Spring Return Stem up	2000N	24V AC +/-20% 24V DC +/-15%	10 W (*20VA)
DN250- DN300	AELAAL202SRFC 24VAC/DC12	0-10V/4-20mA 2/3 point	Spring Return Stem down	2000N	24V AC +/-20% 24V DC +/-15%	10 W (*20VA)

*Design transformer for this value

Pg. 2/2

V1. Dimensions in mm

This data sheet is designed as a guide and should not be regarded as wholly accurate in every detail. We reserve the right to amend the specification of any product without notice.