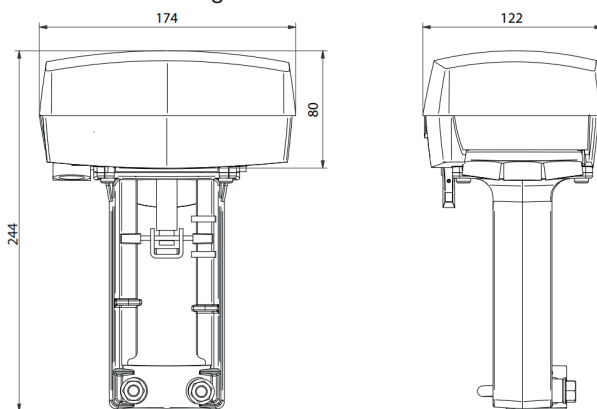


AL202 Control Actuator



Features

- To suit ART 202 PICV DN50-DN200
- 3-position or 0-10V modulating control within the same actuator
- Self calibrating stroke up to 52mm
- Voltage control signal range can be selected by use of dip switches
- Linear or EQ% characterisation available on the same actuator
- Auto zero detection
- Feedback signal



Characteristics:	Motoric, modulating, normally closed
Protection Class:	IP54 to EN 60529
Frequency AC:	50/60Hz
Control Signal:	0-10V DC or 3 position
Control Signal Impedance:	Min. 100 kOhm (0-10V)
Actuating Force:	800 N - DN50-DN125. 1500 N - DN150-DN200
Stroke Max.	52mm DN50-DN200
Running Time DN50-DN200	30s (0-10V). 60s or 300s, selectable (3-pos)
Ambient Operating Conditions:	-10°C to +50°C
Manual Operation:	Manual Handle
Cable:	Removable but not included
Weight:	1.8Kgs

Valve Dimension	Technical Code	Function	Supply Voltage	Power Consumption
DN50-DN125	AELAAL20224VAC/DC2	0-10 V / 3-pos	24V AC +/-25% 24V DC +/-10%	15 VA (*50VA)
DN150-DN200	AELAAL20224VAC/DC3	0-10 V / 3-pos	24V AC +/-25% 24V DC +/-10%	24 VA (*50VA)

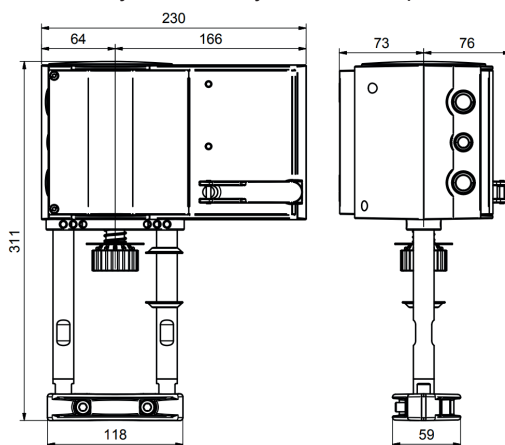
*Max Consumption for transformer sizing

AL202 Control Actuator



Features

- To suit ART 202 PICV DN250-DN300
- 2/3 point floating, 4-20mA or 0-10V modulating control within the same actuator
- Self calibrating
- Linear or EQ% characterisation available on the same actuator
- Auto zero detection
- 0-10V Feedback signal
- Possibility to add relay for failsafe operation



Characteristics:	Motoric, modulating
Protection Class:	IP66 to EN 60529
Frequency:	50/60Hz
Supply Voltage:	24V AC/DC 230 V AC (with accessory)
Control Signal:	0-10V DC, 4-20mA DC or 3-point/2-point floating
Control Signal Impedance:	Min. 100 Ω (0-10V)
Stroke Max.	48mm
Running Time	288s (Factory setting)
Ambient Operating Conditions:	0°C to +55°C
Manual Operation:	Manual Handle
Cable:	Cable glands 2 x M20 x 1.5 (Not included)
Weight:	4.2Kgs

Valve Dimension	Technical Code	Control Signal	Function	Actuator Force	Supply Voltage	Power Consumption
DN250- DN300	AELAAL20224VAC/DC10	0-10V/4- 20mA 2/3 point	Standard	2500N	24V AC +/-20% 24V DC +/-15%	10 W (*18VA)

*Design transformer for this value Pg. 2/2