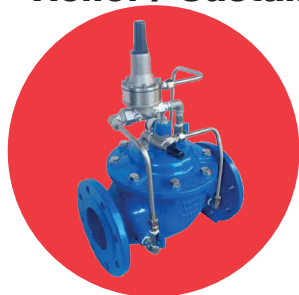


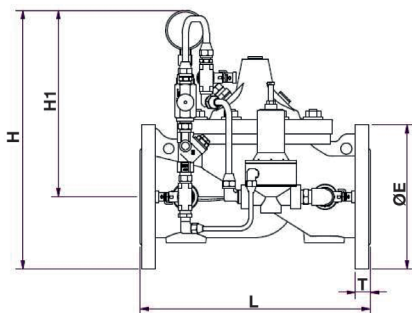
ART 6500 PN25

PN25 Adjustable Pressure Relief / Sustaining Valve



Features

- Automatic Control Valve
- Suitable for potable water applications
- WRAS Approved epoxy coated body
- Pressure adjusted by integral pilot valve
- Conforms to BS EN558-1 Series 1
- Flange conforms to BS EN1092 PN25
- Available flanged PN16
- Stainless Steel pilot tubing and valves

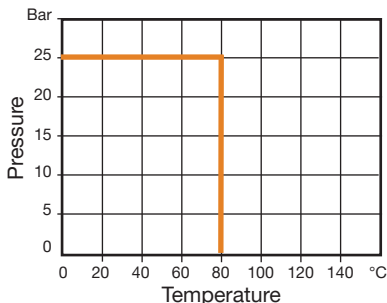
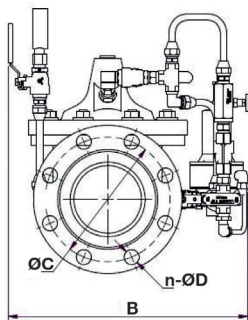


Technical data

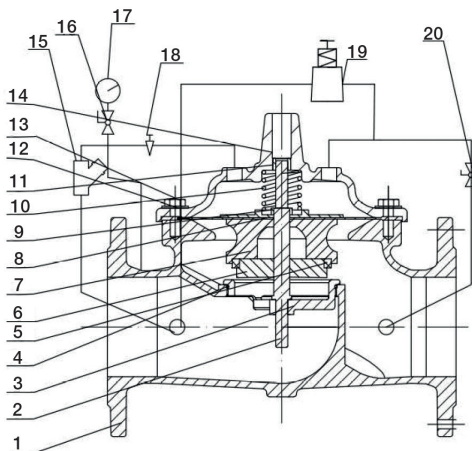
Max pressure: 25 Bar

Working temp: 0°C to +80°C

DN	50	65	80	100	125	150	200	250	300
L	230	290	310	350	400	480	600	730	850
E	165	185	200	235	270	300	360	425	485
C	125	145	160	190	220	250	310	370	430
n-Ød	4-19	4-19	8-19	8-23	8-28	8-28	12-28	12-31	16-31
B	270	290	305	325	355	390	435	500	565
H	485	505	520	555	590	630	680	740	795
H1	402	412	420	442	455	475	501	535	659
Kgs	14.0	18.0	24.0	31.5	66.5	72.0	135.0	319.0	426.0



ART 6500 PN25

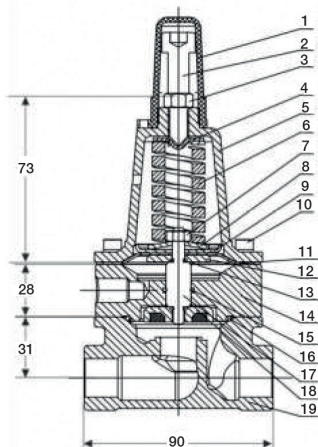


N.	Part Name	Materials
1	Body	Ductile Iron
2	Stem	Stainless Steel 304
3	Seat	Stainless Steel 304
4	O-Ring	NBR
5	Disc Ring	NBR
6	Disc Retainer	Ductile Iron
7	Disc Guide	Ductile Iron
8	Diaphragm	EPDM
9	Diaphragm Washer	Ductile Iron
10	Spring	Stainless Steel 304
11	Cover Bearing	Stainless Steel 304
12	Screw	Stainless Steel 304
13	Washer	Stainless Steel 304
14	Cover	Ductile Iron
15	Strainer	Stainless Steel 304
16	Ball Valve	Stainless Steel 304
17	Gauge	Stainless Steel 304
18	Needle Valve	Stainless Steel 304
19	Pilot Valve	Stainless Steel 304
20	Ball Valve	Stainless Steel 304

ART 6500 PN25



Pilot Valve Detail - ART 6550



N.	Part Name	Materials
1	Cap	ABS
2	Adjusting Screw	Stainless Steel 304
3	Locking Nut	Stainless Steel 304
4	Upper Spring Holder	Stainless Steel 304
5	Cover	Stainless Steel 304
6	Spring	Stainless Steel 304
7	Nut	Stainless Steel 304
8	Lower Spring Holder	Stainless Steel 304
9	Diaphragm Washer	Stainless Steel 304
10	Screw	Stainless Steel 304
11	Diaphragm	EPDM
12	Disc Holder	Stainless Steel 304
13	O-Ring	NBR
14	Guide	Stainless Steel 304
15	O-Ring	NBR
16	O-Ring	NBR
17	Stem	Stainless Steel 304
18	Disc	Stainless Steel 304 + NBR
19	Body	Stainless Steel 304

Fitted with standard Pilot Valve
8.00 to 22.00 Bar (116 to 319 PSI)

Flow curve of the main valve at fully open status

