



Strainers & Drain Cocks

Issue 01



It's all at Albion

ART 68

PN20 Brass Y Strainer



Features

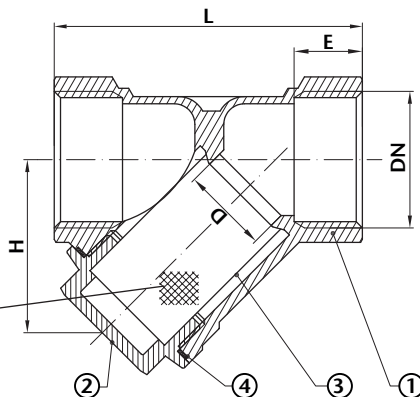
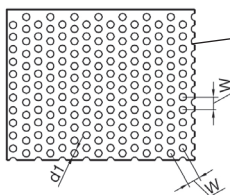
- Screwed BSP Parallel (ISO 228/1)
- Brass body
- Stainless steel mesh



Technical data

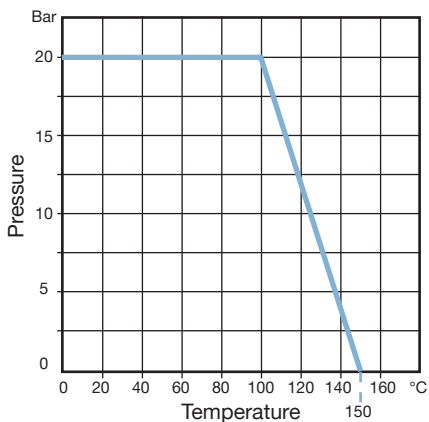
Max pressure: 20 Bar

Working temp: 0°C to +150°C



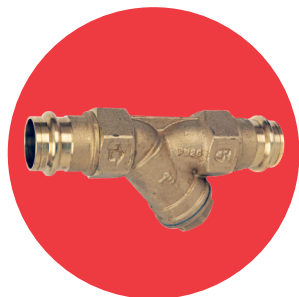
| DN | 1/2" | 3/4" | 1" | 1 1/4" | 1 1/2" | 2" | 2 1/2" | 3" | 4" |
|-----|------|------|------|--------|--------|------|--------|------|-------|
| L | 57 | 72 | 74.5 | 95 | 105 | 129 | 142.5 | 160 | 245 |
| H | 34.5 | 39.5 | 43 | 54 | 61.5 | 74.5 | 83 | 93 | 142 |
| E | 12.5 | 15 | 16.5 | 18 | 18 | 20 | 20 | 22 | 30 |
| D | 15 | 18.5 | 21 | 29 | 32 | 46 | 58 | 64 | 100 |
| d1 | 0.60 | 0.84 | 0.84 | 0.84 | 0.84 | 0.84 | 0.84 | 0.84 | 0.84 |
| W | 0.9 | 1.3 | 1.3 | 1.3 | 1.3 | 1.3 | 1.3 | 1.3 | 1.3 |
| Kv | 5.7 | 7.9 | 16.0 | 23.0 | 36.0 | 50.0 | 72.0 | 95.0 | 154.0 |
| Kgs | 0.16 | 0.27 | 0.34 | 0.65 | 0.84 | 1.19 | 1.96 | 3.03 | 6.54 |

| N. | Part Name | Materials |
|----|-----------|---------------------|
| 1 | Body | Brass |
| 2 | Bonnet | Brass |
| 3 | Strainer | Stainless Steel 304 |
| 4 | Gasket | PTFE |



ART 198 PRS

PN20 DZR Brass 'Y' Type Strainer



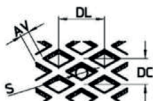
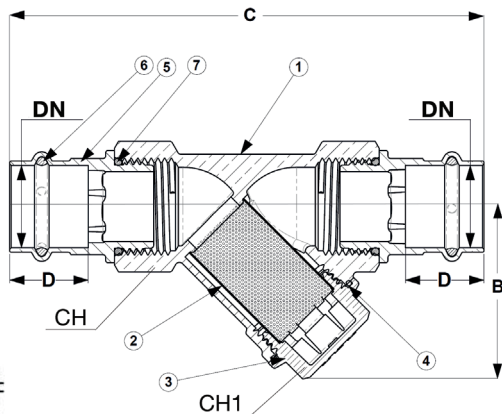
Features

- Universal M & V Profile 15mm to 35mm
- Dedicated M Profile 42mm & 54mm
- Pre-press leak detection
- 5 year warranty

Technical data

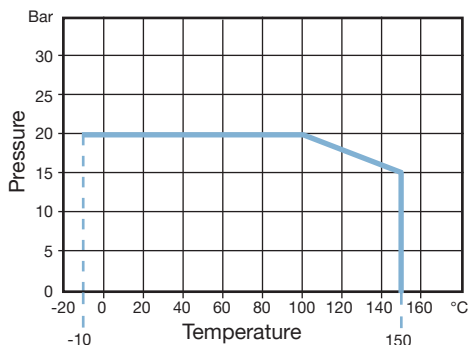
Max pressure: 20 Bar

Working temp: -10°C to 150°C



| DN | 15 | 22 | 28 | 35 | 42 | 54 |
|-----|------|------|------|------|------|------|
| B | 39 | 50 | 60 | 71 | 81.5 | 100 |
| C | 152 | 170 | 185 | 202 | 219 | 263 |
| D | 42 | 46.5 | 47 | 47 | 51.5 | 60 |
| CH | 28 | 33 | 40 | 51 | 56 | 71 |
| CH1 | 18 | 22 | 29 | 34 | 39 | 55 |
| AV | 0.4 | 0.4 | 0.4 | 0.4 | 0.4 | 0.4 |
| DL | 2.5 | 2.5 | 2.5 | 2.5 | 2.5 | 2.5 |
| S | 0.25 | 0.25 | 0.25 | 0.25 | 0.25 | 0.25 |
| DC | 1.4 | 1.4 | 1.4 | 1.4 | 1.4 | 1.4 |
| Kv | 3.4 | 7 | 10 | 16 | 24 | 35 |
| Kgs | 0.36 | 0.52 | 0.77 | 1.20 | 1.55 | 2.72 |

| N. | Part Name | Materials |
|----|----------------|---------------------|
| 1 | Body | DZR Brass CC752S |
| 2 | Strainer | Stainless Steel 304 |
| 3 | Bonnet | DZR Brass CC752S |
| 4 | O-Ring | FKM70 Red |
| 5 | Joint | DZR Brass |
| 6 | O-Ring (Delta) | EPDM 70 PEROX |
| 7 | O-Ring | EPDM 70 PEROX |



V1. Dimensions in mm

This data sheet is designed as a guide and should not be regarded as wholly accurate in every detail. We reserve the right to amend the specification of any product without notice.

ART 368

PN20 Bronze 'Y' Type Strainer



Features

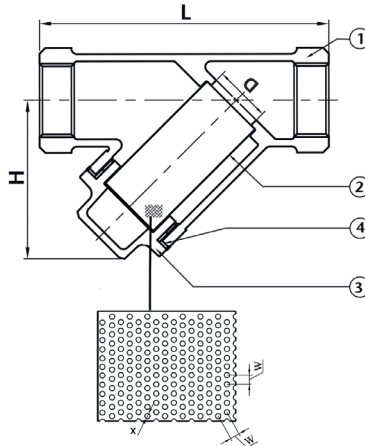
- Available in Screwed BSP Taper (ISO 7/1) or NPT (ANSI B1.20.1)
- Screwed cap



Technical data

Max pressure: 20 Bar

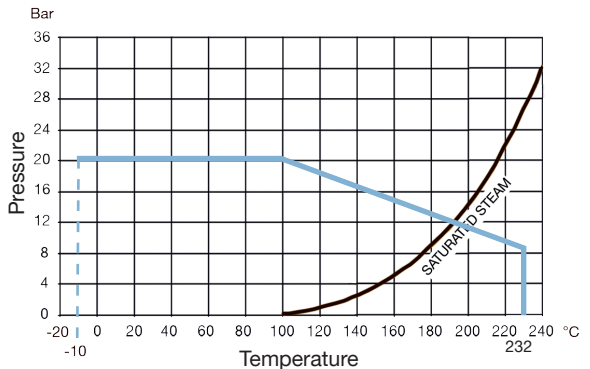
Working temp: -10°C to +232°C



| DN | 15 | 22 | 25 | 32 | 40 | 50 |
|-----|------|-------|-------|-------|-------|-------|
| L | 80.0 | 100.0 | 115.0 | 135.0 | 160.0 | 190.0 |
| H | 48.5 | 58.0 | 70.0 | 80.0 | 93.0 | 112.0 |
| D | 14.0 | 19.0 | 25.0 | 31.8 | 38.1 | 50.0 |
| X | 0.93 | 0.93 | 0.93 | 0.93 | 0.93 | 0.93 |
| W | 1.27 | 1.27 | 1.27 | 1.27 | 1.27 | 1.27 |
| Kv | 2.9 | 5.4 | 8.3 | 15.8 | 21.7 | 37.5 |
| Kgs | 0.31 | 0.49 | 0.71 | 0.99 | 1.46 | 2.44 |

N. Part Name Materials

| | | |
|---|--------|----------------------------|
| 1 | Body | Bronze ASTM B62 C83600 |
| 2 | Screen | Stainless Steel 304 |
| 3 | Cap | Bronze ASTM B62 C83600 |
| 4 | Gasket | Aramid fibres with binders |



V1. Dimensions in mm

This data sheet is designed as a guide and should not be regarded as wholly accurate in every detail. We reserve the right to amend the specification of any product without notice.

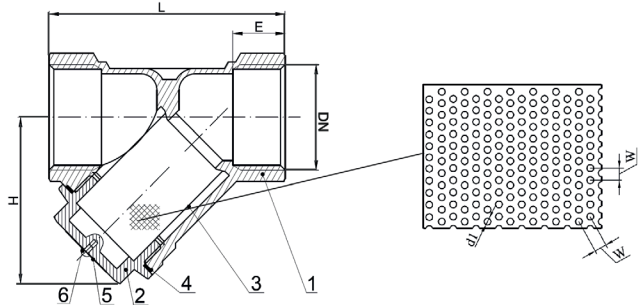
ART 367

PN20 Bronze 'Y' Strainer



Features

- Screwed BSP Taper (ISO 7/1) or NPT (ANSI B1.20.1)
- Tested to BS EN 12266



Technical data

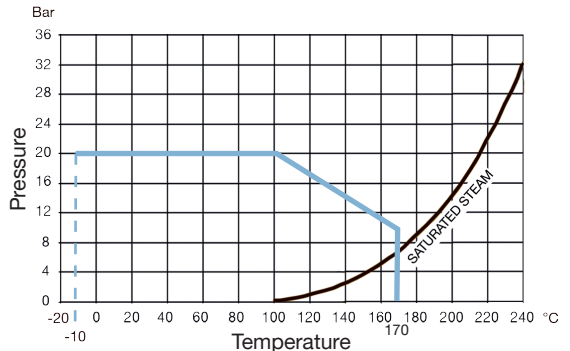
Max pressure: 20 Bar

Working temp: -10°C to +170°C

| DN | 1/2" | 3/4" | 1" | 1.1/4" | 1.1/2" | 2" |
|------|------|------|------|--------|--------|------|
| L | 57 | 72 | 74.5 | 95 | 105 | 129 |
| H | 43 | 48.5 | 54 | 67 | 75.5 | 92 |
| E | 11.5 | 14 | 16 | 18 | 18 | 21 |
| Mesh | 30 | 30 | 30 | 20 | 20 | 20 |
| d1 | 0.6 | 0.6 | 0.6 | 0.8 | 0.8 | 0.8 |
| W | 0.9 | 0.9 | 0.9 | 1.3 | 1.3 | 1.3 |
| Kv | 4.6 | 8.3 | 9.9 | 14.7 | 20.3 | 39.0 |
| Kgs | 0.18 | 0.29 | 0.40 | 0.68 | 0.90 | 1.34 |

N. Part Name Materials

| | | |
|---|-----------|-------------------------------|
| 1 | Body | Bronze C83600 ASTM B62 |
| 2 | Bonnet | Bronze C83600 ASTM B62 |
| 3 | Strainer | Stainless Steel 304 ASTM A240 |
| 4 | Gasket | PTFE |
| 5 | Nameplate | Aluminium |
| 6 | Rivet | Stainless Steel 304 ASTM A240 |



V2 Dimensions in mm

This data sheet is designed as a guide and should not be regarded as wholly accurate in every detail. We reserve the right to amend the specification of any product without notice.

ART 183

PN16 Cast Iron Flanged 'Y' Type Strainer



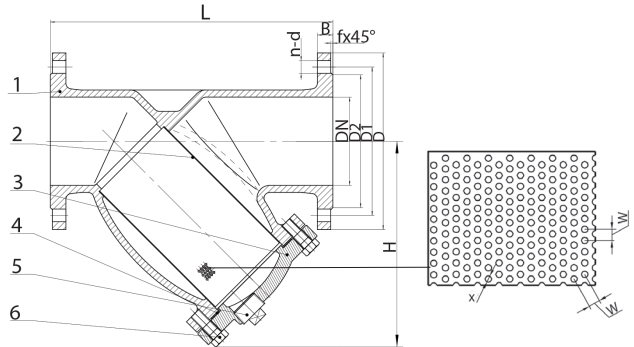
Technical data

Max pressure: 16 Bar

Working temp: -10°C to +85°C

Features

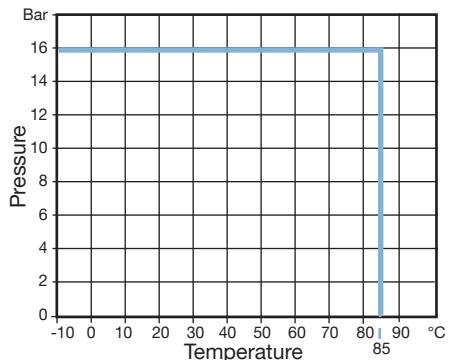
- Flanged mounting PN16 only
- BS EN558-1 Series 1
- DN50 & DN65 square drain port
- DN80-DN600 circular drain port
- Fusion Bonded Epoxy Coat Finish
- DN50 - DN300 WRAS Approved
- DN350 - DN600 WRAS Approved Coating



| DN | 50 | 65 | 80 | 100 | 125 | 150 | 200 | 250 | 300 | 350 | 400 | 450 | 500 | 600 |
|-----|------|------|------|------|------|------|-------|-------|-------|-------|-------|-------|-------|--------|
| L | 230 | 290 | 310 | 350 | 400 | 480 | 600 | 730 | 850 | 980 | 1100 | 1200 | 1250 | 1450 |
| D | 165 | 185 | 200 | 220 | 250 | 285 | 340 | 405 | 460 | 520 | 580 | 640 | 715 | 840 |
| D1 | 125 | 145 | 160 | 180 | 210 | 240 | 295 | 355 | 410 | 470 | 525 | 585 | 650 | 770 |
| D2 | 99 | 118 | 132 | 156 | 184 | 211 | 266 | 319 | 370 | 429 | 480 | 548 | 609 | 720 |
| B | 20 | 20 | 22 | 24 | 26 | 26 | 30 | 32 | 32 | 36 | 38 | 40 | 42 | 48 |
| f | 3 | 3 | 3 | 3 | 3 | 3 | 3 | 3 | 4 | 4 | 4 | 4 | 4 | 5 |
| n-d | 4-19 | 4-19 | 8-19 | 8-19 | 8-19 | 8-23 | 12-23 | 12-28 | 12-28 | 16-28 | 16-31 | 20-31 | 20-34 | 20-37 |
| H | 158 | 176 | 199 | 240 | 292 | 320 | 399 | 517 | 568 | 642 | 750 | 784 | 857 | 980 |
| X | 1.5 | 1.5 | 1.5 | 1.5 | 1.5 | 1.5 | 1.5 | 1.5 | 1.5 | 3 | 3 | 5 | 5 | 5 |
| W | 2.5 | 2.5 | 2.5 | 2.5 | 2.5 | 2.5 | 2.5 | 2.5 | 2.5 | 5 | 5 | 7 | 7 | 7 |
| Kv | 60 | 93 | 136 | 229 | 363 | 502 | 815 | 1382 | 1928 | - | - | - | - | - |
| Kgs | 10.1 | 14.0 | 20.3 | 26.6 | 39.8 | 57.0 | 97.0 | 164.0 | 234.0 | 312.0 | 442.0 | 560.0 | 652.0 | 1072.0 |

N. Part Name Materials

| | | |
|---|------------|-------------------------------|
| 1 | Body | Cast Iron BS EN1561 EN-GJL250 |
| 2 | Screen | Stainless Steel BS970 304S15 |
| 3 | Bonnet | Cast Iron BS EN1561 EN-GJL250 |
| 4 | Gasket | EPDM |
| 5 | Screw Plug | Cast Brass BS2874 CZ122 |
| 6 | Bolt | Stainless Steel |
| 7 | Washer | Stainless Steel |



V1. Dimensions in mm

This data sheet is designed as a guide and should not be regarded as wholly accurate in every detail. We reserve the right to amend the specification of any product without notice.

ART 185

PN16 Cast Iron Flanged 'Y' Type Strainer



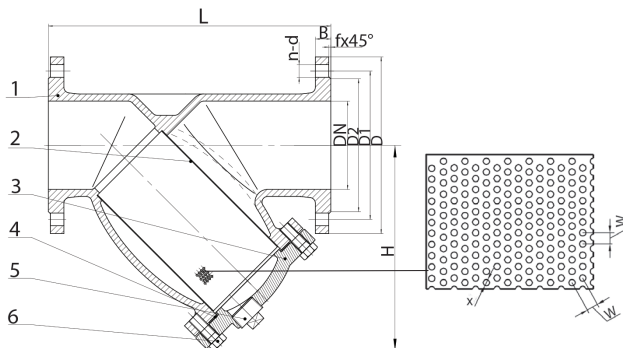
Features

- Flanged mounting PN16 only
- Flange conforms to BS EN1092 PN16
- BS EN558-1 Series 1
- DN50 & DN65 square drain port
- DN80-DN600 circular drain port

Technical data

Max pressure: 16 Bar

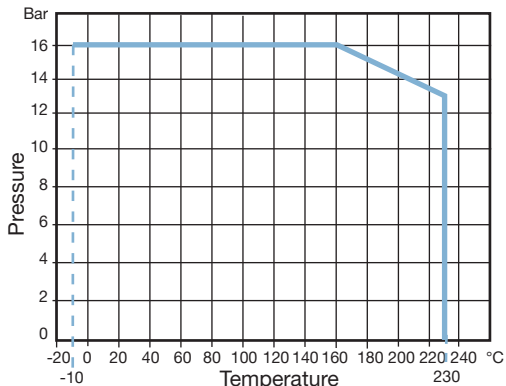
Working temp: -10°C to +230°C



| DN | 50 | 65 | 80 | 100 | 125 | 150 | 200 | 250 | 300 | 350 | 400 | 450 | 500 | 600 |
|-----|------|------|------|------|------|------|-------|-------|-------|-------|-------|-------|-------|--------|
| L | 230 | 290 | 310 | 350 | 400 | 480 | 600 | 730 | 850 | 980 | 1100 | 1200 | 1250 | 1450 |
| D | 165 | 185 | 200 | 220 | 250 | 285 | 340 | 405 | 460 | 520 | 580 | 640 | 715 | 840 |
| D1 | 125 | 145 | 160 | 180 | 210 | 240 | 295 | 355 | 410 | 470 | 525 | 585 | 650 | 770 |
| D2 | 99 | 118 | 132 | 156 | 184 | 211 | 266 | 319 | 370 | 438 | 490 | 548 | 609 | 720 |
| B | 20 | 20 | 22 | 24 | 26 | 26 | 30 | 32 | 32 | 36 | 38 | 40 | 42 | 48 |
| f | 3 | 3 | 3 | 3 | 3 | 3 | 3 | 3 | 4 | 4 | 4 | 4 | 4 | 5 |
| n-d | 4-19 | 4-19 | 8-19 | 8-19 | 8-19 | 8-23 | 12-23 | 12-28 | 12-28 | 16-28 | 16-31 | 20-31 | 20-34 | 20-37 |
| H | 156 | 176 | 199 | 240 | 292 | 320 | 399 | 516 | 568 | 648 | 759 | 777 | 825 | 944 |
| X | 1.5 | 1.5 | 1.5 | 1.5 | 1.5 | 1.5 | 1.5 | 1.5 | 1.5 | 3 | 3 | 5 | 5 | 5 |
| W | 2.5 | 2.5 | 2.5 | 2.5 | 2.5 | 2.5 | 2.5 | 2.5 | 2.5 | 5 | 5 | 7 | 7 | 7 |
| Kv | 60 | 93 | 136 | 229 | 363 | 502 | 815 | 1382 | 1928 | - | - | - | - | - |
| Kgs | 10.1 | 14.0 | 20.3 | 26.6 | 39.8 | 57.0 | 97.0 | 164.0 | 234.0 | 312.0 | 444.0 | 560.0 | 652.0 | 1072.0 |

N. Part Name Materials

| | | |
|---|------------|-------------------------------|
| 1 | Body | Cast Iron BS EN1561 EN-GJL250 |
| 2 | Screen | Stainless Steel 304 |
| 3 | Bonnet | Cast Iron BS EN1561 EN-GJL250 |
| 4 | Gasket | Graphite |
| 5 | Screw Plug | Cast Brass BS2874 CZ122 |
| 6 | Bolt | Steel BS970 43A |



V1. Dimensions in mm

This data sheet is designed as a guide and should not be regarded as wholly accurate in every detail. We reserve the right to amend the specification of any product without notice.

ART 186

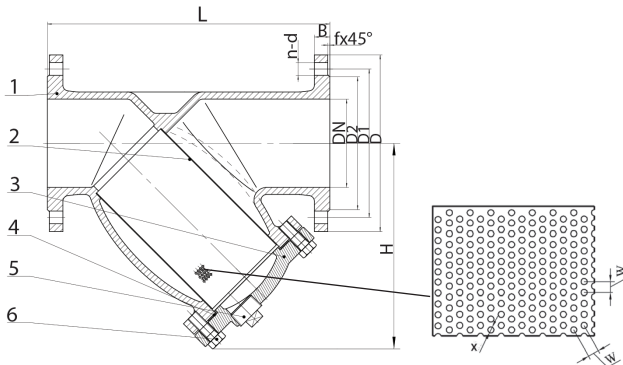
ANSI 125 Cast Iron

Flanged 'Y' Type Strainer



Features

- Flanged ANSI 125 (B16.1)
- Class 125 rated
- Conforms to ASME B16.10



Technical data

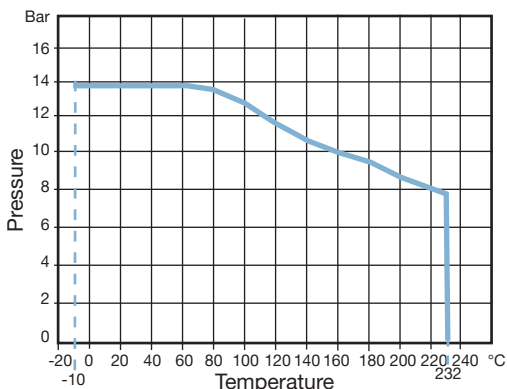
Max pressure: 13.8 Bar

Working temp: -10°C to +232°C

| DN | 2" | 2 1/2" | 3" | 4" | 5" | 6" | 8" | 10" | 12" | 14" | 16" | 18" | 20" | 24" |
|-----|-------|--------|-------|-------|------------|------------|------------|-------------|-------------|-------------|-------------|-------|-------|--------|
| L | 230 | 290 | 310 | 350 | 400 | 480 | 600 | 730 | 850 | 980 | 1100 | 1200 | 1250 | 1450 |
| D | 165 | 185 | 200 | 228.6 | 250 | 285 | 340 | 405 | 483 | 533.4 | 597 | 640 | 715 | 840 |
| D1 | 121.0 | 140.0 | 152.5 | 190.5 | 215.9 | 241.3 | 298.5 | 362.0 | 432.0 | 476.3 | 539.8 | 578.0 | 635.0 | 749.5 |
| D2 | 92 | 105 | 127 | 156 | 184 | 211 | 266 | 319 | 370 | 413 | 470 | 533 | 584 | 692 |
| B | 20 | 20 | 22 | 24 | 26 | 26 | 30 | 32 | 32 | 36 | 38 | 40 | 42 | 48 |
| f | 1.6 | 1.6 | 1.6 | 1.6 | 1.6 | 1.6 | 1.6 | 1.6 | 1.6 | 1.6 | 1.6 | 1.6 | 1.6 | 1.6 |
| n-d | 4-19 | 4-19 | 4-19 | 8-19 | 8- 22.2 | 8- 22.2 | 8- 22.2 | 12- 25.4 | 12- 25.4 | 12- 28.6 | 16- 28.6 | 16-32 | 20-32 | 20-35 |
| X | 1.5 | 1.5 | 1.5 | 1.5 | 1.5 | 1.5 | 1.5 | 1.5 | 1.5 | 3 | 3 | 5 | 5 | 5 |
| W | 2.5 | 2.5 | 2.5 | 2.5 | 2.5 | 2.5 | 2.5 | 2.5 | 2.5 | 5 | 5 | 7 | 7 | 7 |
| Kv | 60 | 93 | 136 | 229 | 363 | 502 | 815 | 1382 | 1928 | - | - | - | - | - |
| Kgs | 10.1 | 14.0 | 20.3 | 26.6 | 39.8 | 57.0 | 97.0 | 164.0 | 234.0 | 312.0 | 444.0 | 560.0 | 652.0 | 1072.0 |

N. Part Name Materials

| | | |
|---|---------------|------------------------|
| 1 | Body | Cast Iron ASTM A 126-B |
| 2 | Screen | Stainless Steel 304 |
| 3 | Bonnet | Cast Iron ASTM A 126-B |
| 4 | Flange Gasket | Graphite |
| 5 | Screw | Cast Brass ASTM B 16 |
| 6 | Bolt | Steel |



V1. Dimensions in mm

This data sheet is designed as a guide and should not be regarded as wholly accurate in every detail. We reserve the right to amend the specification of any product without notice.

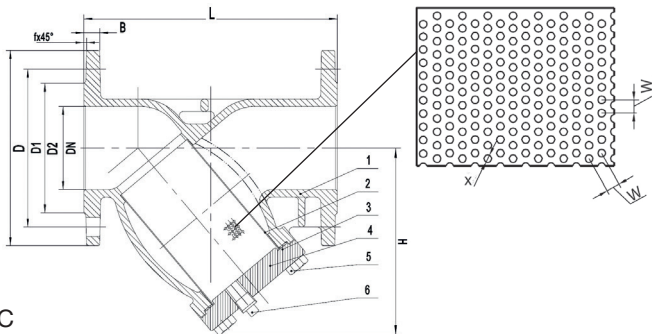
ART 187

PN25 Ductile Iron Flanged 'Y' Type Strainer



Features

- Flanged mounting PN25 only
- Flange conforms to BS EN1092 PN25
- Conforms to BS EN558-1 Series 1



Technical data

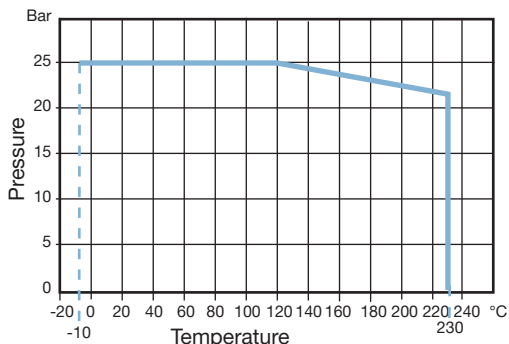
Max pressure: 25 Bar

Working temp: -10°C to +230°C

| DN | 2" | 2 1/2" | 3" | 4" | 5" | 6" | 8" | 10" | 12" | 14" | 16" | 18" | 20" | 24" |
|-----|------|--------|------|------|------|------|-------|-------|-------|-------|-------|-------|-------|--------|
| L | 230 | 290 | 310 | 350 | 400 | 480 | 600 | 730 | 850 | 980 | 1100 | 1200 | 1250 | 1450 |
| D | 165 | 185 | 200 | 235 | 270 | 300 | 360 | 425 | 485 | 555 | 620 | 670 | 730 | 845 |
| D1 | 125 | 145 | 160 | 190 | 220 | 250 | 310 | 370 | 430 | 490 | 550 | 600 | 660 | 770 |
| D2 | 99 | 118 | 132 | 156 | 184 | 211 | 274 | 330 | 389 | 448 | 503 | 548 | 609 | 720 |
| B | 19.0 | 19.0 | 19.0 | 19.0 | 19.0 | 20.0 | 22.0 | 24.5 | 27.5 | 30.0 | 32.0 | 34.5 | 36.5 | 42.0 |
| f | 3 | 3 | 3 | 3 | 3 | 3 | 3 | 3 | 4 | 4 | 4 | 4 | 4 | 5 |
| n-d | 4-19 | 8-19 | 8-19 | 8-23 | 8-28 | 8-28 | 12-28 | 12-31 | 16-31 | 16-34 | 16-37 | 20-37 | 20-37 | 20-41 |
| H | 143 | 165 | 195 | 226 | 272 | 317 | 372 | 457 | 550 | 648 | 760 | 795 | 862 | 985 |
| X | 1.5 | 1.5 | 1.5 | 1.5 | 1.5 | 1.5 | 1.5 | 1.5 | 1.5 | 1.5 | 1.5 | 1.5 | 1.5 | 1.5 |
| W | 2.5 | 2.5 | 2.5 | 2.5 | 2.5 | 2.5 | 2.5 | 2.5 | 2.5 | 2.5 | 2.5 | 2.5 | 2.5 | 2.5 |
| Kv | 60 | 93 | 136 | 229 | 363 | 502 | 815 | 1382 | 1928 | - | - | - | - | - |
| Kgs | 9.3 | 12.4 | 15.3 | 26.0 | 32.0 | 46.0 | 70.0 | 122.0 | 172.0 | 335.0 | 479.0 | 523.0 | 658.0 | 1050.0 |

N. Part Name Materials

| | | |
|---|------------|--------------------------------|
| 1 | Body | Ductile Iron BS1563 EN-GJS-450 |
| 2 | Screen | Stainless Steel BS970 304S15 |
| 3 | Bonnet | Ductile Iron BS1563 EN-GJS-450 |
| 4 | Gasket | Non-Asbestos / EPDM |
| 5 | Bolt | Steel BS970 43A |
| 6 | Screw Plug | Stainless Steel BS970 304S15 |



V1. Dimensions in mm

This data sheet is designed as a guide and should not be regarded as wholly accurate in every detail. We reserve the right to amend the specification of any product without notice.

ART 968

PN55 Stainless Steel

Screwed 'Y' Type Strainer



Features

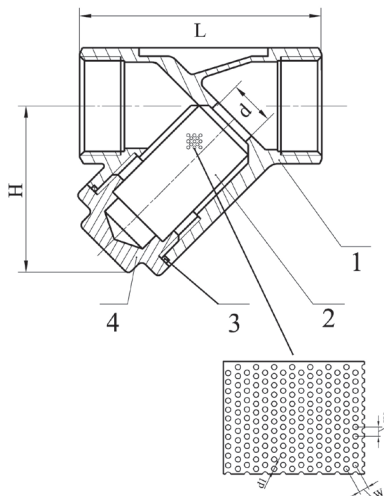
- BSP Parallel (ISO 7/1)
- 1mm/1000 micron mesh



Technical data

Max pressure: 55 Bar

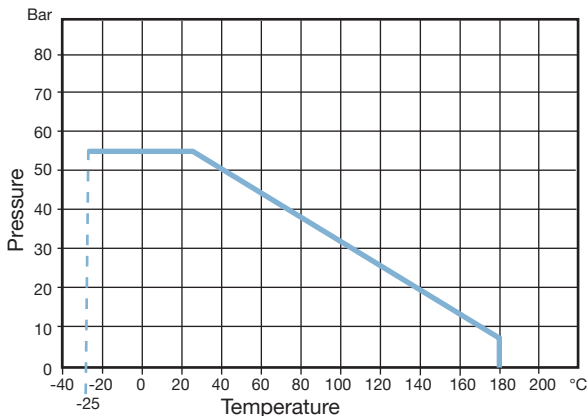
Working temp: -25°C to +180°C



| DN | 1/4" | 3/8" | 1/2" | 3/4" | 1" | 1 1/4" | 1 1/2" | 2" | 2 1/2" | 3" | 4" |
|-----|------|------|------|------|------|--------|--------|------|--------|------|-------|
| d | 10 | 12 | 15 | 20 | 25 | 32 | 38 | 50 | 61 | 75 | 94 |
| L | 64 | 64 | 64 | 80 | 90 | 106 | 119 | 140 | 167 | 198 | 238 |
| H | 43 | 43 | 45 | 52 | 68 | 70 | 80 | 98 | 117 | 137 | 163 |
| W | 2 | 2 | 2 | 2 | 2 | 2 | 2 | 2 | 2 | 2 | 2 |
| d1 | 1 | 1 | 1 | 1 | 1 | 1 | 1 | 1 | 1 | 1 | 1 |
| Kv | 3.9 | 3.9 | 5.7 | 7.9 | 16.0 | 23.0 | 36.0 | 50.0 | 72.0 | 95.0 | 154.0 |
| Kgs | 0.20 | 0.20 | 0.21 | 0.34 | 0.59 | 0.80 | 1.06 | 1.61 | 2.99 | 4.74 | 7.88 |

N. Part Name Materials

| | | |
|---|--------------|---------------------|
| 1 | Body | CF8M |
| 2 | Screen | Stainless Steel 316 |
| 3 | Joint Gasket | PTFE |
| 4 | Bonnet | CF8M |



V1. Dimensions in mm

This data sheet is designed as a guide and should not be regarded as wholly accurate in every detail. We reserve the right to amend the specification of any product without notice.

ART 969

PN16 Stainless Steel Flanged 'Y' Type Strainer



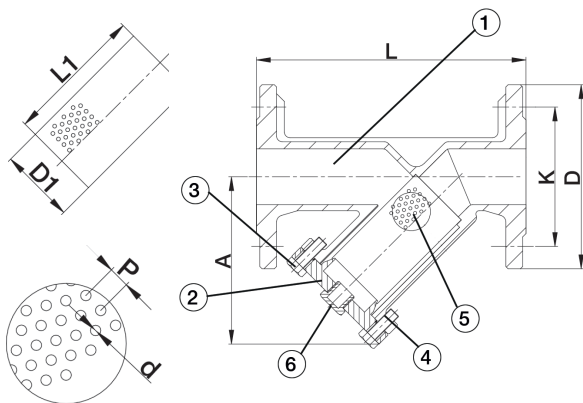
Technical data

Max pressure: 16 Bar

Working temp: -25°C to +200°C

Features

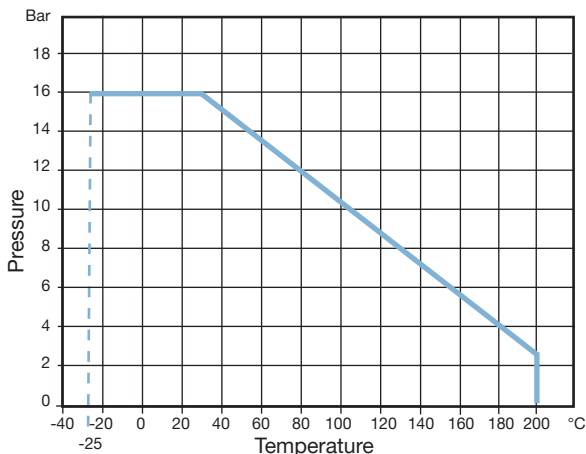
- Flanged PN16
- Mesh 1mm (up to 2"), 2mm (2 1/2"-4")
- 1 1/4"+ have blow off plug



| DN | 1/2" | 3/4" | 1" | 1 1/4" | 1 1/2" | 2" | 2 1/2" | 3" | 4" |
|-----|------|------|------|--------|--------|------|--------|-------|-------|
| A | 75 | 90 | 100 | 115 | 130 | 150 | 190 | 225 | 230 |
| D | 95 | 105 | 115 | 140 | 150 | 165 | 185 | 200 | 220 |
| D1 | 22 | 26 | 32 | 37 | 47 | 57 | 69 | 84 | 105 |
| L | 130 | 150 | 160 | 180 | 200 | 230 | 290 | 310 | 350 |
| L1 | 58 | 65 | 72 | 93 | 95 | 114 | 152 | 176 | 180 |
| P | 2 | 2 | 2 | 2 | 2 | 2 | 3.5 | 3.5 | 3.5 |
| d | 1 | 1 | 1 | 1 | 1 | 1 | 2 | 2 | 2 |
| K | 65 | 75 | 85 | 100 | 110 | 125 | 145 | 160 | 180 |
| Kv | 5.7 | 7.9 | 16.0 | 23.0 | 36.0 | 50.0 | 72.0 | 95.0 | 154.0 |
| Kgs | 1.79 | 2.57 | 3.60 | 4.72 | 6.02 | 9.00 | 12.81 | 17.36 | 20.03 |

N. Part Name Materials

| | | |
|---|---------------|---------------------|
| 1 | Body | CF8M |
| 2 | Cover | CF8M |
| 3 | Bolt | Stainless Steel 304 |
| 4 | Joint Gasket | PTFE |
| 5 | Filter Screen | CF8M |
| 6 | Blow Off Plug | CF8M |



V1. Dimensions in mm

This data sheet is designed as a guide and should not be regarded as wholly accurate in every detail. We reserve the right to amend the specification of any product without notice.

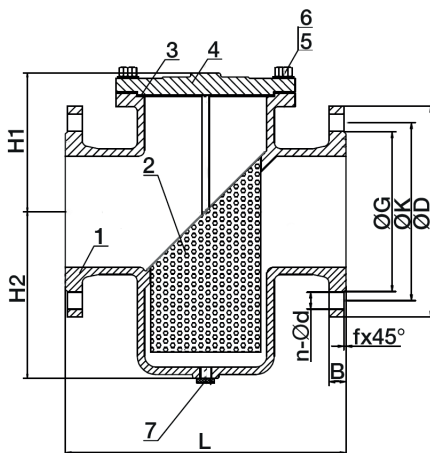
ART 181

PN16 Ductile Iron Single Basket Strainer



Features

- Flanged only
- Flange conforms to BS EN1092 PN16
- Fusion Bonded Epoxy Coat Finish



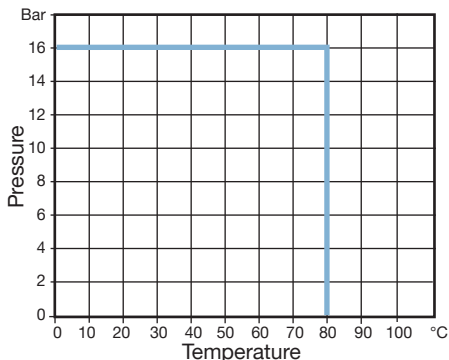
Technical data

Max pressure: 16 Bar

Working temp: 0°C to +80°C

| DN | 40 | 50 | 65 | 80 | 100 | 125 | 150 | 200 | 250 | 300 | 350 | 400 | 450 | 500 | 600 |
|------|------|------|------|------|------|------|------|-------|-------|-------|-------|-------|-------|-------|-------|
| L | 207 | 207 | 210 | 251 | 292 | 334 | 378 | 475 | 511 | 667 | 769 | 842 | 890 | 900 | 1000 |
| D | 150 | 165 | 185 | 200 | 220 | 250 | 285 | 340 | 405 | 460 | 520 | 580 | 640 | 715 | 840 |
| K | 110 | 125 | 145 | 160 | 180 | 210 | 240 | 295 | 355 | 410 | 470 | 525 | 585 | 650 | 770 |
| G | 88 | 100 | 119 | 135 | 156 | 186 | 212 | 268 | 318 | 373 | 433 | 483 | 546 | 605 | 710 |
| B | 19 | 19 | 19 | 19 | 19 | 19 | 19 | 20 | 22 | 24.5 | 26.5 | 28 | 30 | 31.5 | 36 |
| f | 3 | 3 | 3 | 3 | 3 | 3 | 3 | 3 | 3 | 3 | 4 | 4 | 4 | 4 | 5 |
| n-Ød | 4-19 | 4-19 | 4-19 | 8-19 | 8-19 | 8-19 | 8-23 | 12-23 | 12-28 | 12-28 | 16-28 | 16-31 | 20-31 | 20-34 | 20-37 |
| H1 | 114 | 114 | 129 | 142 | 165 | 173 | 165 | 215 | 325 | 283 | 345 | 390 | 402 | 441 | 523 |
| H2 | 98 | 98 | 112 | 125 | 160 | 185 | 235 | 295 | 340 | 423 | 585 | 590 | 628 | 696 | 834 |

| N. | Part Name | Materials |
|----|--------------|-----------------------|
| 1 | Body | Ductile Iron GGG50 |
| 2 | Screen | Stainless Steel 304 |
| 3 | Cover Gasket | EPDM |
| 4 | Cover | Ductile Iron GGG50 |
| 5 | Bolt | Stainless Steel A2-70 |
| 6 | Bolt Nut | Stainless Steel A2-70 |
| 7 | Plug | Stainless Steel 304 |



V1. Dimensions in mm

This data sheet is designed as a guide and should not be regarded as wholly accurate in every detail. We reserve the right to amend the specification of any product without notice.

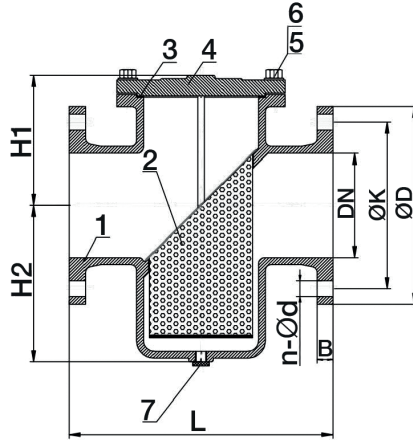
ART 182

ANSI 150 Ductile Iron Single Basket Strainer



Features

- Flanged ANSI 150 (B16.42)
- Conforms to ANSI B16.10
- Fusion Bonded Epoxy Coat Finish



Technical data

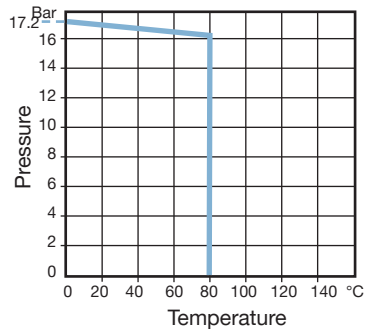
Max pressure: 17.2 Bar

Working temp: 0°C to +80°C

| DN | 1.1/4" | 2" | 2.1/2" | 3" | 4" | 5" | 6" | 8" | 10" | 12" | 14" | 16" | 18" | 20" | 24" |
|------|--------|-------|--------|-------|-------|-------|-------|-------|-------|-------|-------|-------|-------|-------|-------|
| L | 207 | 207 | 210 | 251 | 292 | 334 | 378 | 475 | 511 | 667 | 769 | 842 | 890 | 900 | 1000 |
| D | 127 | 152.4 | 177.8 | 190.5 | 228.6 | 254 | 279.4 | 342.9 | 406.4 | 482.5 | 533.4 | 596.9 | 635 | 698.5 | 812.8 |
| K | 98.6 | 120.7 | 139.7 | 152.4 | 190.5 | 215.9 | 241.3 | 298.5 | 362 | 431.8 | 476.3 | 539.8 | 577.9 | 635 | 749.3 |
| B | 19 | 19 | 19 | 19 | 19 | 19 | 19 | 20 | 22 | 24.5 | 26.5 | 28 | 30 | 31.5 | 36 |
| n-Ød | 4-16 | 4-19 | 4-19 | 4-19 | 8-19 | 8-22 | 8-22 | 8-22 | 12-25 | 12-25 | 12-29 | 16-29 | 16-32 | 20-32 | 20-35 |
| H1 | 114 | 114 | 129 | 142 | 165 | 173 | 165 | 215 | 325 | 283 | 345 | 390 | 402 | 441 | 523 |
| H2 | 98 | 98 | 112 | 125 | 160 | 185 | 235 | 295 | 340 | 423 | 585 | 590 | 628 | 696 | 834 |

N. Part Name Materials

| | | |
|---|--------------|---------------------------------|
| 1 | Body | Ductile Iron ASTM A536 65-45-12 |
| 2 | Screen | Stainless Steel 304 |
| 3 | Cover Gasket | EPDM |
| 4 | Cover | Ductile Iron ASTM A536 65-45-12 |
| 5 | Bolt | Stainless Steel A2-70 |
| 6 | Bolt Nut | Stainless Steel A2-70 |
| 7 | Plug | Stainless Steel 304 |



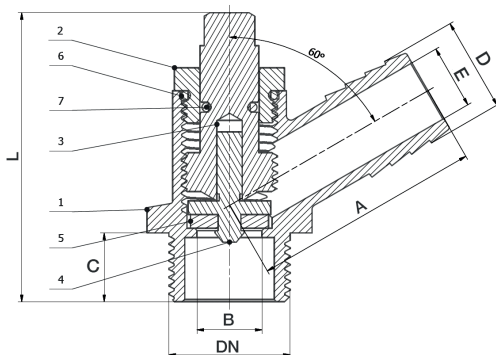
ART 10

Brass Drain Cock



Features

- Screwed BSP Parallel Male Ends (ISO 228/1)
- BS 2879/2 Type A
- Hose connection outlet



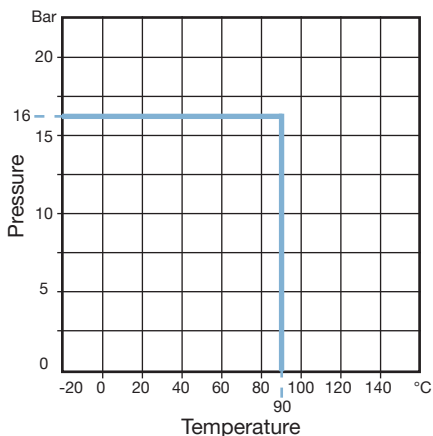
Technical data

Max pressure: 16 Bar

Working temp: -20°C to +90°C

| DN | 1/2" | 3/4" |
|-----|-----------|-----------|
| A | 32.5 | 50 |
| B | Ø9.5 | Ø14.2 |
| C | 12.5 | 15 |
| D | Ø14 | Ø20.5 |
| E | Ø9.5 | Ø14 |
| L | 45 - 49.5 | 63 - 69.5 |
| Kgs | 0.08 | 0.21 |

| N. | Part Name | Materials |
|----|-----------|---------------|
| 1 | Body | Brass HPb59-1 |
| 2 | Bonnet | Brass HPb59-1 |
| 3 | Stem | Brass HPb59-1 |
| 4 | Baffle | Brass HPb59-1 |
| 5 | Washer | EPDM |
| 6 | O-Ring | EPDM |
| 7 | O-Ring | EPDM |

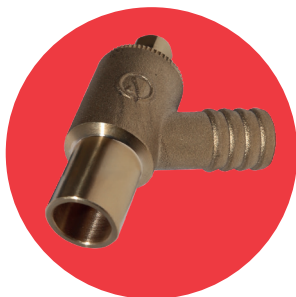


V1. Dimensions in mm

This data sheet is designed as a guide and should not be regarded as wholly accurate in every detail. We reserve the right to amend the specification of any product without notice.

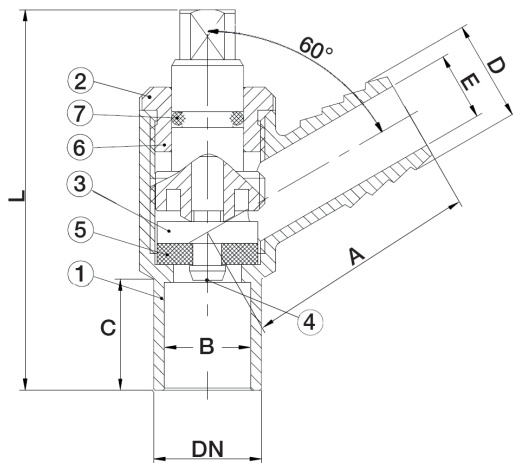
ART 14

Brass Drain Cock



Features

- Male spigot
- BS 2879/2 Type A
- Hose connection outlet



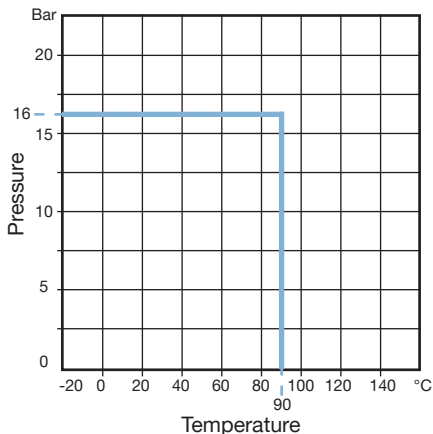
Technical data

Max pressure: 16 Bar

Working temp: -20°C to +90°C

| DN | 15 |
|-----|-----------|
| A | 35 |
| B | Ø9.5 |
| C | 15.5 |
| D | Ø14 |
| E | Ø9.7 |
| L | 51.5-56.0 |
| Kgs | 0.07 |

| N. | Part Name | Materials |
|----|-----------|---------------|
| 1 | Body | Brass HPb59-1 |
| 2 | Bonnet | Brass HPb59-1 |
| 3 | Stem | Brass HPb59-1 |
| 4 | Baffle | Brass HPb59-1 |
| 5 | Washer | EPDM |
| 6 | Lock Nut | Brass HPb59-1 |
| 7 | O-Ring | EPDM |

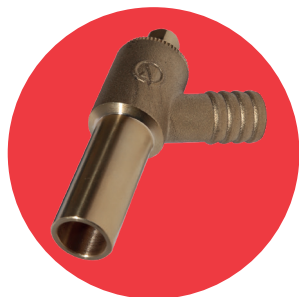


V1. Dimensions in mm

This data sheet is designed as a guide and should not be regarded as wholly accurate in every detail. We reserve the right to amend the specification of any product without notice.

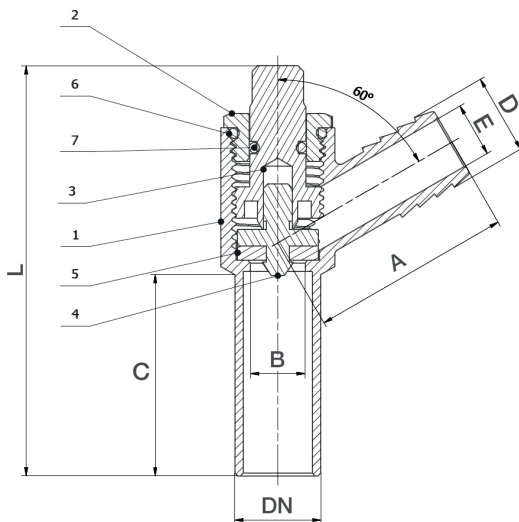
ART 15

Brass Drain Cock



Features

- Extended male spigot
- BS 2879/2 Type A
- Hose connection outlet



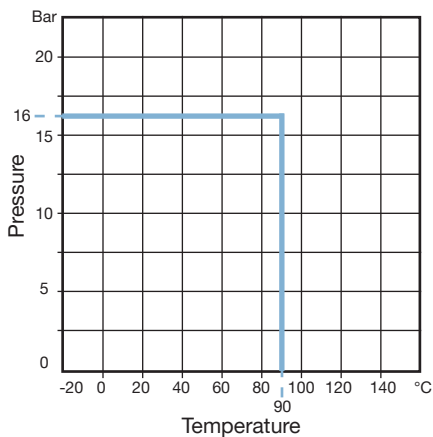
Technical data

Max pressure: 16 Bar

Working temp: -20°C to +90°C

| DN | 15 |
|-----|------|
| A | 35 |
| B | Ø9.5 |
| C | 35 |
| D | Ø14 |
| E | Ø9.5 |
| Kgs | 0.09 |

| N. | Part Name | Materials |
|----|-----------|---------------|
| 1 | Body | Brass HPb59-1 |
| 2 | Bonnet | Brass HPb59-1 |
| 3 | Stem | Brass HPb59-1 |
| 4 | Baffle | Brass HPb59-1 |
| 5 | Washer | EPDM |
| 6 | O-Ring | EPDM |
| 7 | O-Ring | EPDM |



V1. Dimensions in mm

This data sheet is designed as a guide and should not be regarded as wholly accurate in every detail. We reserve the right to amend the specification of any product without notice.

ART 310

Bronze Drain Cock



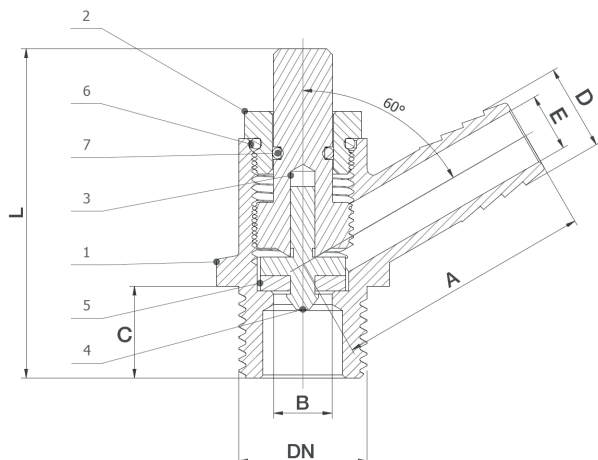
Technical data

Max pressure: 16 Bar

Working temp: -20°C to +120°C

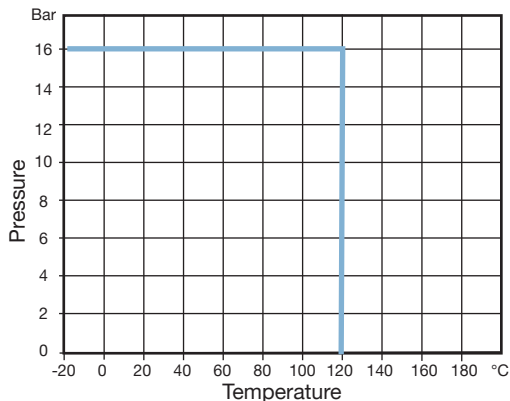
Features

- Screwed BSP Taper (ISO 7/1)
- BS 2879/2 Type A
- Hose connection outlet



| DN | 1/2" | 3/4" |
|-----|-----------|---------|
| A | 42 | 54 |
| B | Ø9.5 | Ø14.2 |
| C | 15 | 17 |
| D | Ø14 | Ø20.5 |
| E | Ø9.5 | Ø14 |
| L | 53.5-58.5 | 65-71.5 |
| Kgs | 0.13 | 0.26 |

| N. | Part Name | Materials |
|----|-----------|---------------|
| 1 | Body | Bronze CC491K |
| 2 | Bonnet | Brass Hpb9-1 |
| 3 | Stem | Brass Hpb9-1 |
| 4 | Baffle | Brass Hpb9-1 |
| 5 | Washer | EPDM |
| 6 | O-Ring | EPDM |
| 7 | O-Ring | EPDM |



V1. Dimensions in mm

This data sheet is designed as a guide and should not be regarded as wholly accurate in every detail. We reserve the right to amend the specification of any product without notice.

ART 311

Bronze Drain Cock (Lockshield)



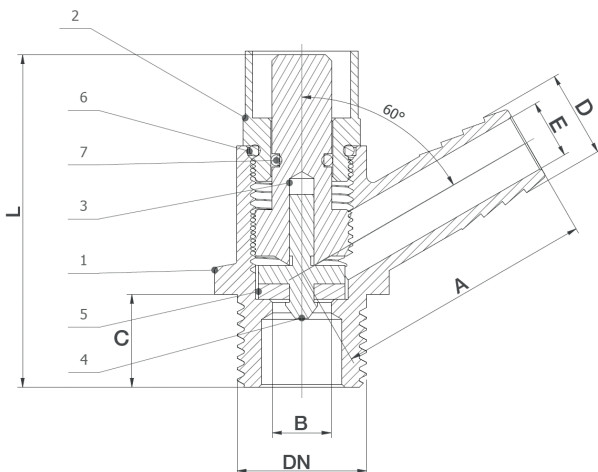
Technical data

Max pressure: 16 Bar

Working temp: -20°C to +120°C

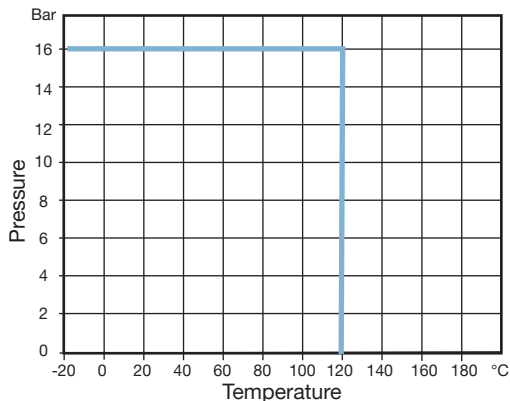
Features

- Screwed Male BSP Taper (ISO 7/1)
- BS 2879/2 Type A
- Hose connection outlet



| DN | 1/2" | 3/4" |
|-----|-----------|---------|
| A | 42 | 54 |
| B | Ø9.5 | Ø14.2 |
| C | 15 | 17 |
| D | Ø14 | Ø20.5 |
| E | Ø9.5 | Ø14 |
| L | 53.5-58.5 | 65-71.5 |
| Kgs | 0.13 | 0.27 |

| N. | Part Name | Materials |
|----|-----------|---------------|
| 1 | Body | Bronze CC491K |
| 2 | Bonnet | Brass Hpb9-1 |
| 3 | Stem | Brass Hpb9-1 |
| 4 | Baffle | Brass Hpb9-1 |
| 5 | Washer | EPDM |
| 6 | O-Ring | EPDM |
| 7 | O-Ring | EPDM |

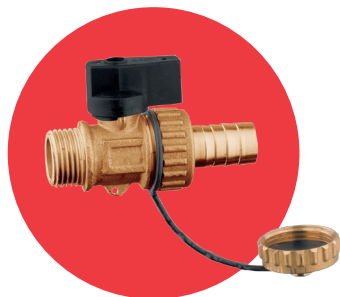


V1. Dimensions in mm

This data sheet is designed as a guide and should not be regarded as wholly accurate in every detail. We reserve the right to amend the specification of any product without notice.

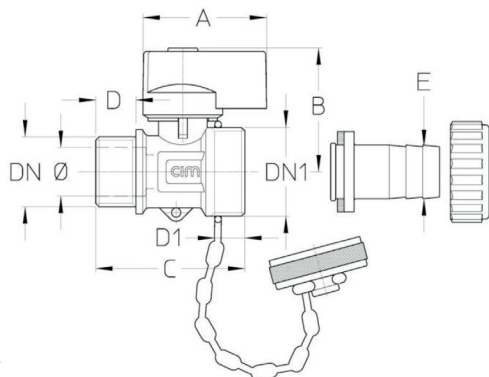
ART 11

Drain Ball Valve



Features

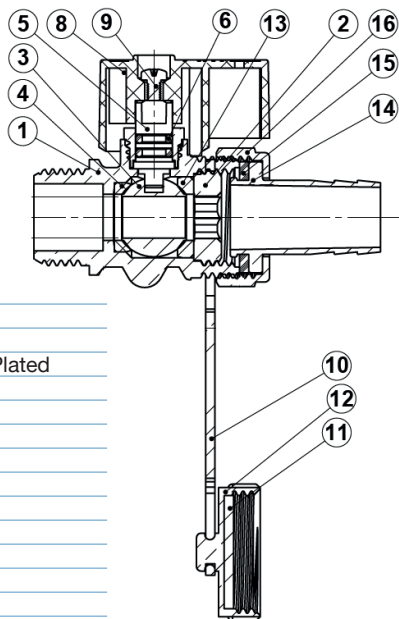
- Screwed BSP Parallel Male Ends (ISO 228/1) x Hose Connection
- Tested to EN12266-1
- 5 Year Guarantee



Technical data

Nominal pressure: 16 Bar
 Max. Pressure: 20 Bar (0°C to 40°C)
 Working temp: -20°C to +90°C

| DN | 1/2" x 3/4" |
|-----|-------------|
| Ømm | 9 |
| A | 37 |
| B | 35 |
| C | 44.5 |
| D | 12 |
| D1 | 10.5 |
| E | 16 |
| CM | 1.5 |
| CS | 2 |
| MT | 9 |
| Kv | 4 |
| Kgs | 0.2 |

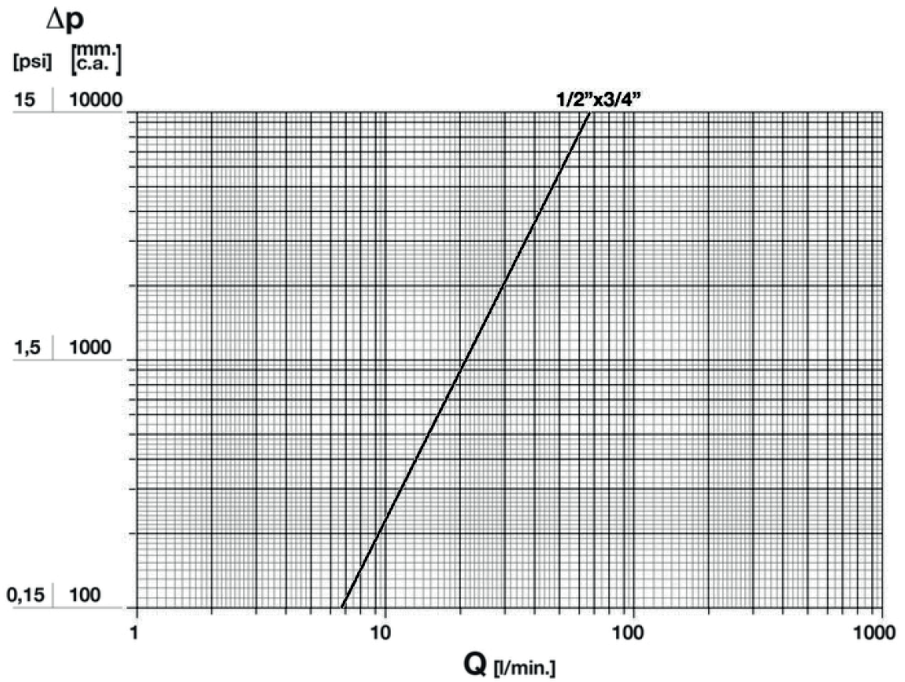
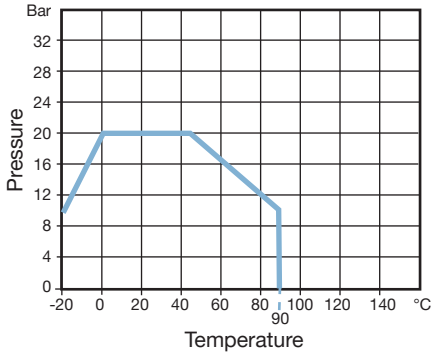


| N. | Part Name | Materials |
|----|---------------------|----------------------------|
| 1 | Body | Brass CW617N |
| 2 | Ring Nut | Brass CW617N |
| 3 | Ball | Brass CW617N Chrome Plated |
| 4 | Ball Gasket | PTFE |
| 5 | Stem | Brass CW617N |
| 6 | Stem Gaskets O-Ring | NBR 70SH |
| 7 | Cap | Brass CW617N |
| 8 | Handle | Nylon 6 |
| 9 | Screw | Stainless Steel 304 |
| 10 | Lace | Rubber |
| 11 | Gasket | SBR 70SH |
| 12 | Plug | Brass CW617N |
| 13 | Ball Gaskets | PTFE |
| 14 | Hose Union | Brass CW617N-M |
| 15 | Gasket | SBR 70SH |
| 16 | Ring Nut | Brass CW617N |

CM - Operating torque in Nm. CS - Starting torque in Nm. MT - Stem breaking torque in Nm.

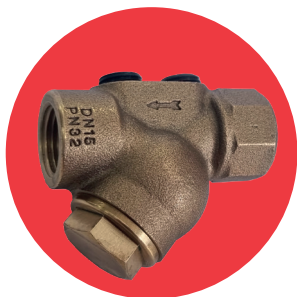
V1. Dimensions in mm

This data sheet is designed as a guide and should not be regarded as wholly accurate in every detail. We reserve the right to amend the specification of any product without notice.



ART 369

PN32 Bronze 'Y' Strainer



Features

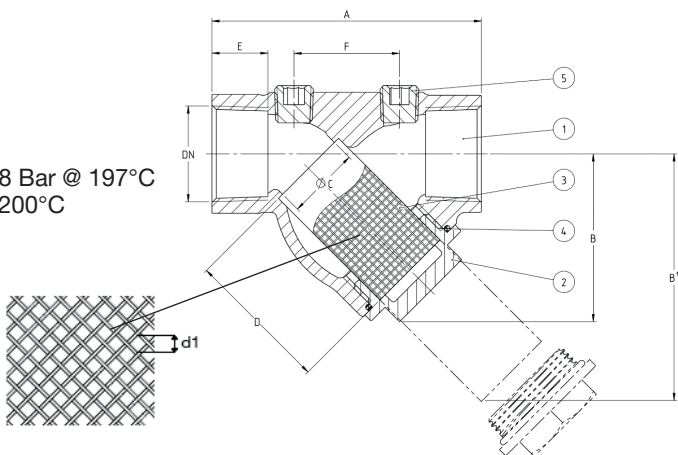
- Screwed BSP Taper (ISO 7/1)
- NPT (ANSI B1.20.1) version available on request
- Suitable for water, steam, and oil
- Screen: Woven wire 20 mesh (0.85mm aperture - 51% open area)
- Suitable Test Points available to purchase on request

Technical data

Max pressure: 32 Bar

Max pressure (Steam): 13.8 Bar @ 197°C

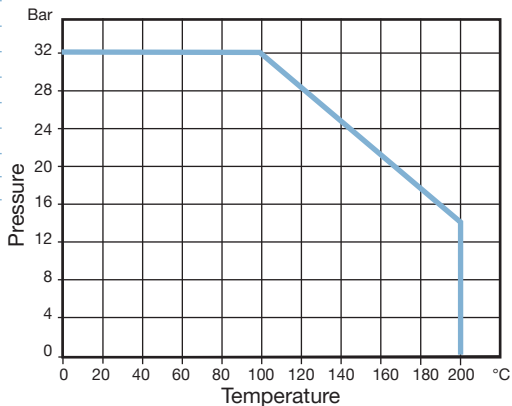
Working temp: -10°C to +200°C



| DN | 1/2" | 3/4" | 1" | 1.1/4" | 1.1/2" | 2" |
|-----|------|------|------|--------|--------|------|
| A | 67 | 74 | 92 | 106 | 114 | 147 |
| B | 42 | 47 | 57 | 66 | 78 | 100 |
| B' | 56 | 70 | 84 | 99 | 116 | 150 |
| C | 15 | 21 | 25 | 25 | 37 | 50 |
| D | 32 | 41 | 49 | 58 | 65 | 83 |
| E | 15 | 16 | 19 | 21 | 21 | 26 |
| F | 19 | 24 | 36 | 40 | 44 | 57 |
| D1 | 0.85 | 0.85 | 0.85 | 0.85 | 0.85 | 0.85 |
| Kv | 9.0 | 18.0 | 24.0 | 25.8 | 55.5 | 90.0 |
| Kgs | 0.3 | 0.4 | 0.7 | 1.0 | 1.3 | 2.3 |

N. Part Name Materials

| | |
|----------|----------------------------|
| 1 Body | Gunmetal BS EN 1982 CC491K |
| 2 Cap | Brass BS EN 12164 CW614N |
| 3 Screen | Stainless Steel 304 |
| 4 O-ring | Viton FKM 75 |
| 5 Plugs | Carbon Steel |



Pressure Drop

