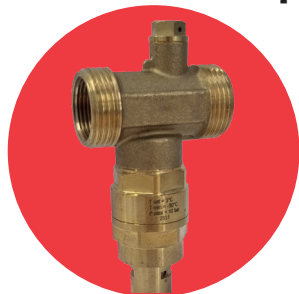


# ART 1710

## Anti-Freeze Valve for Heat Pumps



### Features

- BSP Parallel (ISO 228/1) or NPT (ANSI B.1.20.1)
- Designed to discharge when the system water temp goes to  $<3^{\circ}\text{C}$  preventing ice forming
- Discharge ends when the system water temperature increases to  $>4^{\circ}\text{C}$
- Accuracy  $\pm 1^{\circ}\text{C}$
- Reduces potential breakdown costs to the system

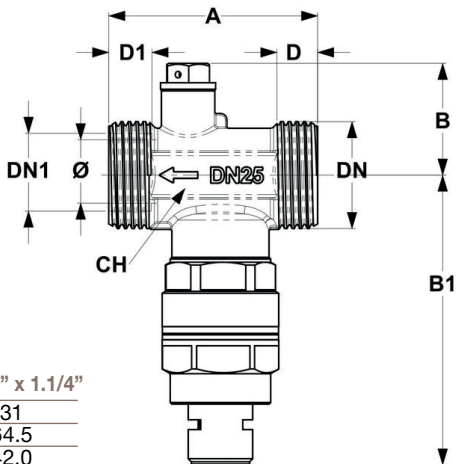
### Technical data

Max pressure: 10 Bar

Working temp:  $0^{\circ}\text{C}$  to  $+75^{\circ}\text{C}$

Fluid temp (opening):  $3^{\circ}\text{C}$

Fluid temp (closing):  $4^{\circ}\text{C}$



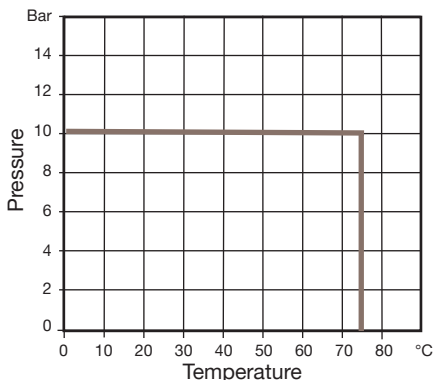
DN x DN1	1" x 3/4"	1.1/4" x 1"	1.1/2" x 1.1/4"
Ømm	16	23	31
A	64.5	64.5	64.5
B	34.5	38.0	42.0
B1	92.0	95.5	99.5
D	13	13	13
D1	12.0	12.5	12.5
CH	30	36	44
Kgs	0.48	0.52	0.53

DN x DN1	1" x 3/4"	1.1/4" x 1"	1.1/2" x 1.1/4"
Ømm	16	23	31
KV	9	23	47
Q3	0.3	0.3	0.3
Q0.5	3	3	3

KV - Flow in  $\text{m}^3/\text{h}$  at pressure loss of 1 bar.

Q3 - Exhaust flow rate in l/h at  $3^{\circ}\text{C}$  with pressure of 3 bar.

Q0.5 - Exhaust flow rate in l/h at  $0.5^{\circ}\text{C}$  with pressure of 3 bar.



### Part Name

### Materials

Body	Brass CW617N-DW
O Rings	EPDM

V2. Dimensions in mm

This data sheet is designed as a guide and should not be regarded as wholly accurate in every detail. We reserve the right to amend the specification of any product without notice.