

ART 186

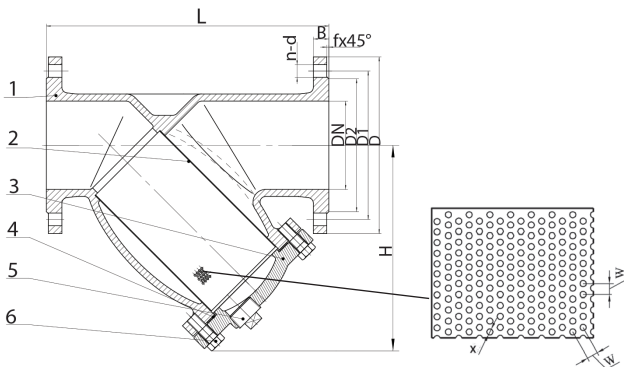
ANSI 125 Cast Iron

Flanged 'Y' Type Strainer



Features

- Flanged ANSI 125 (B16.1)
- Class 125 rated



Technical data

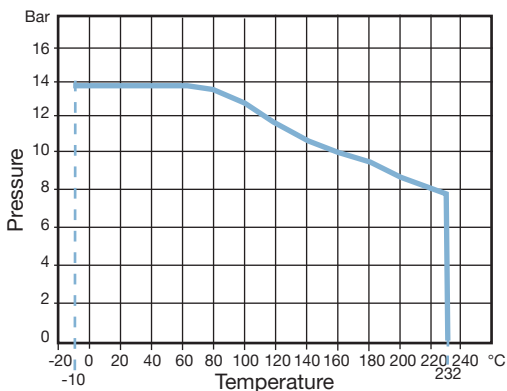
Max pressure: 13.8 Bar

Working temp: -10°C to +232°C

DN	2"	2 1/2"	3"	4"	5"	6"	8"	10"	12"	14"	16"	18"	20"	24"
L	230	290	310	350	400	480	600	730	850	980	1100	1200	1250	1450
D	165	185	200	228.6	250	285	340	405	483	533.4	597	640	715	840
D1	121.0	140.0	152.5	190.5	215.9	241.3	298.5	362.0	432.0	476.3	539.8	578.0	635.0	749.5
D2	92	105	127	156	184	211	266	319	370	413	470	533	584	692
B	20	20	22	24	26	26	30	32	32	36	38	40	42	48
f	1.6	1.6	1.6	1.6	1.6	1.6	1.6	1.6	1.6	1.6	1.6	1.6	1.6	1.6
n-d	4-19	4-19	4-19	8-19	8-22.2	8-22.2	8-22.2	12-25.4	12-25.4	12-28.6	16-28.6	16-32	20-32	20-35
X	1.5	1.5	1.5	1.5	1.5	1.5	1.5	1.5	1.5	3	3	5	5	5
W	2.5	2.5	2.5	2.5	2.5	2.5	2.5	2.5	2.5	5	5	7	7	7
Kv	60	93	136	229	363	502	815	1382	1928	-	-	-	-	-
Kgs	10.1	14.0	20.3	26.6	39.8	57.0	97.0	164.0	234.0	312.0	444.0	560.0	652.0	1072.0

N. Part Name Materials

1	Body	Cast Iron ASTM A 126-B
2	Screen	Stainless Steel 304
3	Bonnet	Cast Iron ASTM A 126-B
4	Flange Gasket	Graphite
5	Screw	Cast Brass ASTM B 16
6	Bolt	Steel



V2. Dimensions in mm

This data sheet is designed as a guide and should not be regarded as wholly accurate in every detail. We reserve the right to amend the specification of any product without notice.