

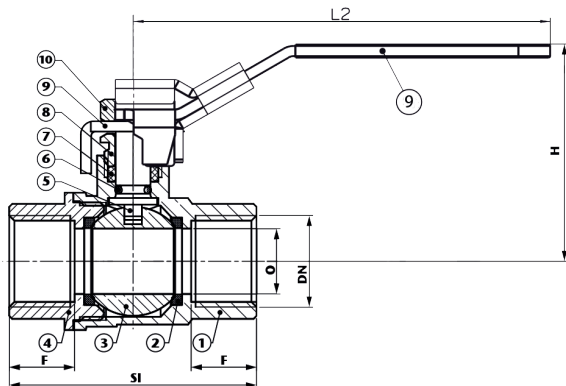
# ART 40P 257C

## PN40 Brass Ball Valve Complete with Locking Lever



### Features

- Screwed BSP Parallel (ISO 228/1)
- Anti-blow-out stem
- PTFE seats & seals
- Full bore



### Technical data

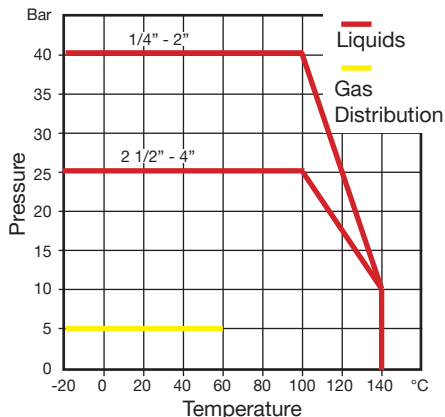
Max pressure: 1/4" - 2" 40 Bar  
 2 1/2" - 4" 25 Bar  
 Working temp: -20°C to +140°C

### Technical data - Gas distribution

Max pressure: 5 Bar  
 Working temp: -20°C to +60°C

DN	1/2"	3/4"	1"	1 1/4"	1 1/2"	2"	2 1/2"	3"	4"
O	14.5	19	24.5	31.5	39.5	49.5	62	73	90
F	15	18	19.5	20	21	26.5	31	36.8	41.5
SI	57	67	77	88	99	121	146	168	199
H	52	49	62	81	90	96	124	132	144.5
L2	100	100	125	150	150	165	285	285	280
Kv	16	30	48	100	170	230	230	576	940
Kgs	0.29	0.35	0.50	0.70	1.04	1.44	3.11	4.08	6.60

N.	Part Name	Materials
1	Body	Brass / Nickel Plated CW617N
2	Seat	PTFE
3	Ball	Brass / Chrome Plated
4	Cap	Brass / Nickel Plated CW617N
5	Stem	Brass
6	O-Ring	NBR
7	Stem Packing	PTFE
8	Lock Nut	Brass
9	Lockable Lever	Steel / PVC Plastic Coated
10	Nut	Steel



V2 Dimensions in mm

This data sheet is designed as a guide and should not be regarded as wholly accurate in every detail. We reserve the right to amend the specification of any product without notice.