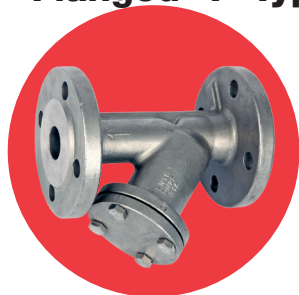


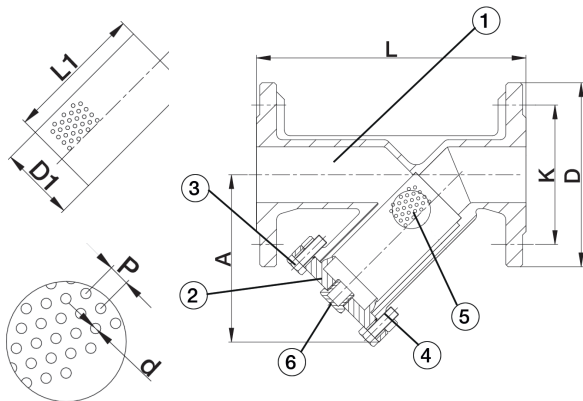
# ART 969

## PN16 Stainless Steel Flanged 'Y' Type Strainer



### Features

- Flanged PN16
- Mesh 1mm (up to 2"), 2mm (2 1/2"-4")
- 1 1/4"+ have blow off plug



### Technical data

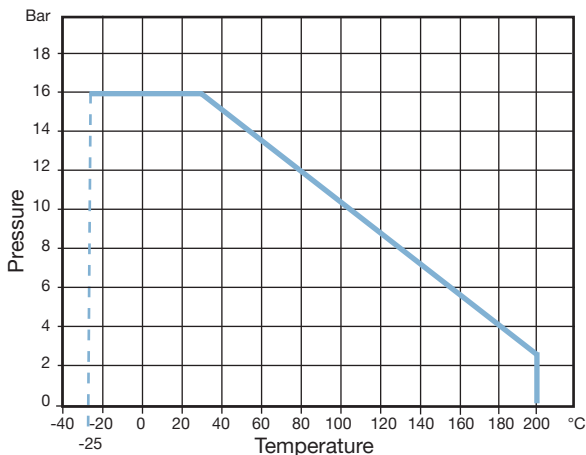
Max pressure: 16 Bar

Working temp: -25°C to +200°C

DN	1/2"	3/4"	1"	1 1/4"	1 1/2"	2"	2 1/2"	3"	4"
A	75	90	100	115	130	150	190	225	230
D	95	105	115	140	150	165	185	200	220
D1	22	26	32	37	47	57	69	84	105
L	130	150	160	180	200	230	290	310	350
L1	58	65	72	93	95	114	152	176	180
P	2	2	2	2	2	2	3.5	3.5	3.5
d	1	1	1	1	1	1	2	2	2
K	65	75	85	100	110	125	145	160	180
Kv	5.7	7.9	16.0	23.0	36.0	50.0	72.0	95.0	154.0
Kgs	1.79	2.57	3.60	4.72	6.02	9.00	12.81	17.36	20.03

### N. Part Name Materials

1	Body	CF8M
2	Cover	CF8M
3	Bolt	Stainless Steel 304
4	Joint Gasket	PTFE
5	Filter Screen	CF8M
6	Blow Off Plug	CF8M



V2 Dimensions in mm

This data sheet is designed as a guide and should not be regarded as wholly accurate in every detail. We reserve the right to amend the specification of any product without notice.