



Installation & Operating Manual



ART GSV / GSF N/C Automatic Gas Solenoid Valve

Albion Valves (UK) Ltd
www.albionvalvesuk.com
Email: sales@albionvalvesuk.com
Tel: 01226 729900



Contents

1. Introduction
2. Technical Data
3. Valve Installation
4. Coil Markings
5. Maintenance
6. Loss of Head Diagram
7. Warranty

1. Introduction

- These solenoid valves are designed to be used with gas detection systems.
- All solenoid valves are automatic reset and normally closed.
- These gas solenoid valves will open only when the correct voltage is applied to the coil. When no power is present the valves will automatically reset to the closed position and will not reopen until the power to the coil is resumed.

Size	ART No.	Connection	Product Code
1/2"	ART GSV	BSP Parallel (ISO 228/1)	ASLXGSVNC050230VAC
3/4"	ART GSV	BSP Parallel (ISO 228/1)	ASLXGSVNC075230VAC
1"	ART GSV	BSP Parallel (ISO 228/1)	ASLXGSVNC100230VAC
1.1/4"	ART GSV	BSP Parallel (ISO 228/1)	ASLXGSVNC125230VAC
1.1/2"	ART GSV	BSP Parallel (ISO 228/1)	ASLXGSVNC150230VAC
2"	ART GSV	BSP Parallel (ISO 228/1)	ASLXGSVNC200230VAC
DN65	ART GSF	Flanged PN16	ASLXGSFNC250230VAC
DN80	ART GSF	Flanged PN16	ASLXGSFNC300230VAC
DN100	ART GSF	Flanged PN16	ASLXGSFNC400230VAC

2. Technical Data

Max pressure	360mbar
Opening time	< 1 sec
Closing time	< 1 sec
Max number of operations	20 per minute
Power supply (1/2" to DN25)	230VRac - 50-60Hz (-15%+10%) 17W 110VRac - 50-60Hz (-15%+10%) 17W 24Vac - 50-60Hz (-15%+10%) 17W 24Vdc - 21W (-15%+10%)
Power supply (1.1/4" to DN100)	1.1/4", 1.1/2", 2" : 230VRac - 50-60Hz (-15%+10%) 130Wpp/17W DN65, DN80, DN100 : 230VRac - 50-60Hz (-15%+10%) 400Wpp/53W
Use	Non aggressive gases (Family 1-2-3) and air.
Working temperature	-20°C to +60°C
Connections	From 1/2" to 2" threaded as ISO 228/1 From DN50 TO DN100 flanged as UNI2223

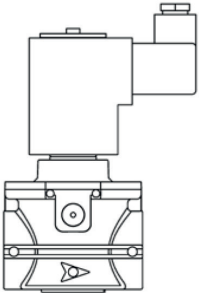
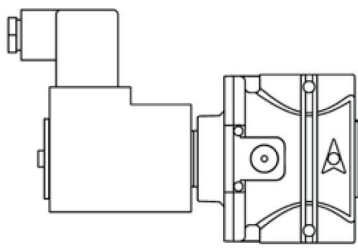
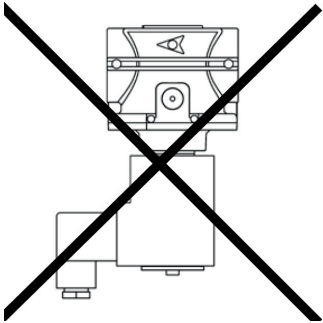
Degree of protection	IP65
Class	A
Group	2
Approval	Regulation 2016/426/EU (GAR) - EN161 Norm.

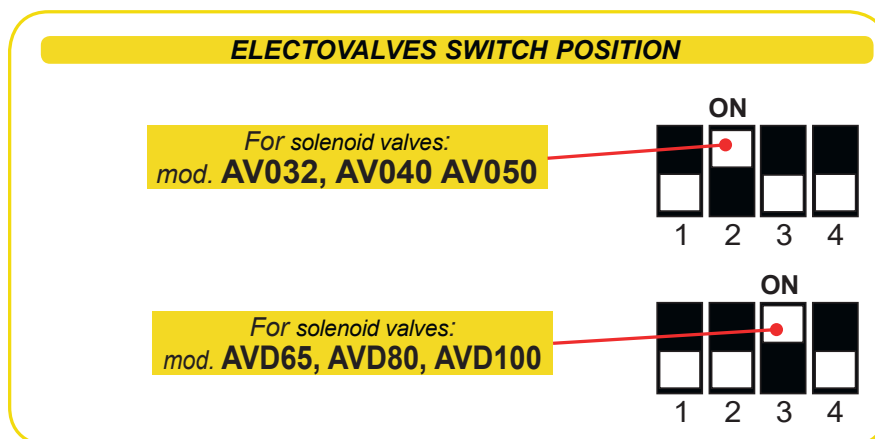
3. Valve Installation

- The gas supply must be shut off before installation.
- They must be installed with the arrow facing towards the user appliance.
- During installation, take care not to allow debris or scraps of metal to enter the device.
- Check the pressure in the line is not more than max pressure of the valve.
- Check the voltage is the same as the coil voltage.
- Always check that the system is gas-tight after installation
- Please carefully read all instructions before use.
- A suitable gas filter (according to EN161) must be installed upstream of this device and all rules and laws in force for gas installations must be adhered to.
- These solenoid valves will only operate when the flow is in the same direction as the arrow on the valve body which is generally towards the appliance and upstream of the regulation apparatus.

WARNING: Installation and maintenance must only be carried out by qualified technicians.

WARNING: Install the solenoid valve protected from atmospheric agents.

Horizontal Position	Vertical Position	Overturned Position
		



4. Coil Markings

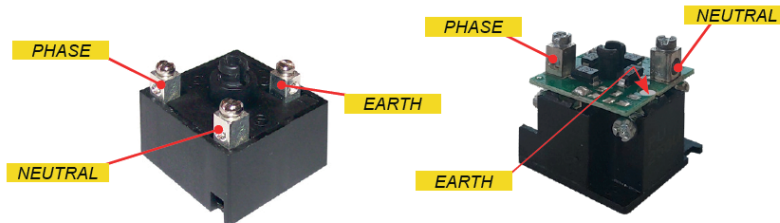
1/2", 3/4", 1", DN25

A, B Connector

	230Vac	110Vac
N.C.	230VRAC - 17W B	110VRAC - 17W B
	24Vdc	24VRac
N.C.	24Vdc - 21W	24VRAC - 17W A

A **Cod. 2.180.2430:** use the connector that acts as a "retarder" and "rectifier", present in the packaging.

B **Cod. 2.180.2429:** use the connector that acts as a "retarder" and "rectifier", present in the packaging.



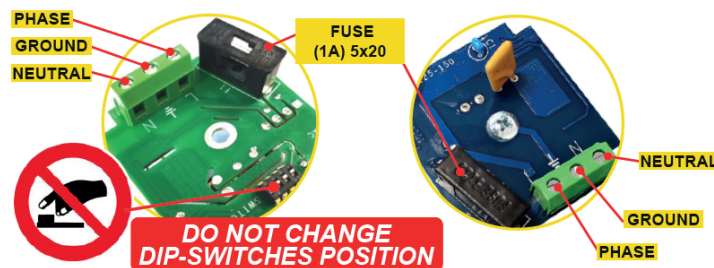
From 1.1/4" to DN100

F, G Connector

	NORMALLY CLOSE - 230VRac 50/60Hz	
	1.1/4"-1.1/2"- 2"	DN65 - DN80 - DN100
N.C.	230VRac - 130Wpp/17W F	230VRac - 400Wpp/53W G

F **Cod. 8.180.1597:** use the connector which acts as a "retarder" and "rectifier", already mounted on the coil.

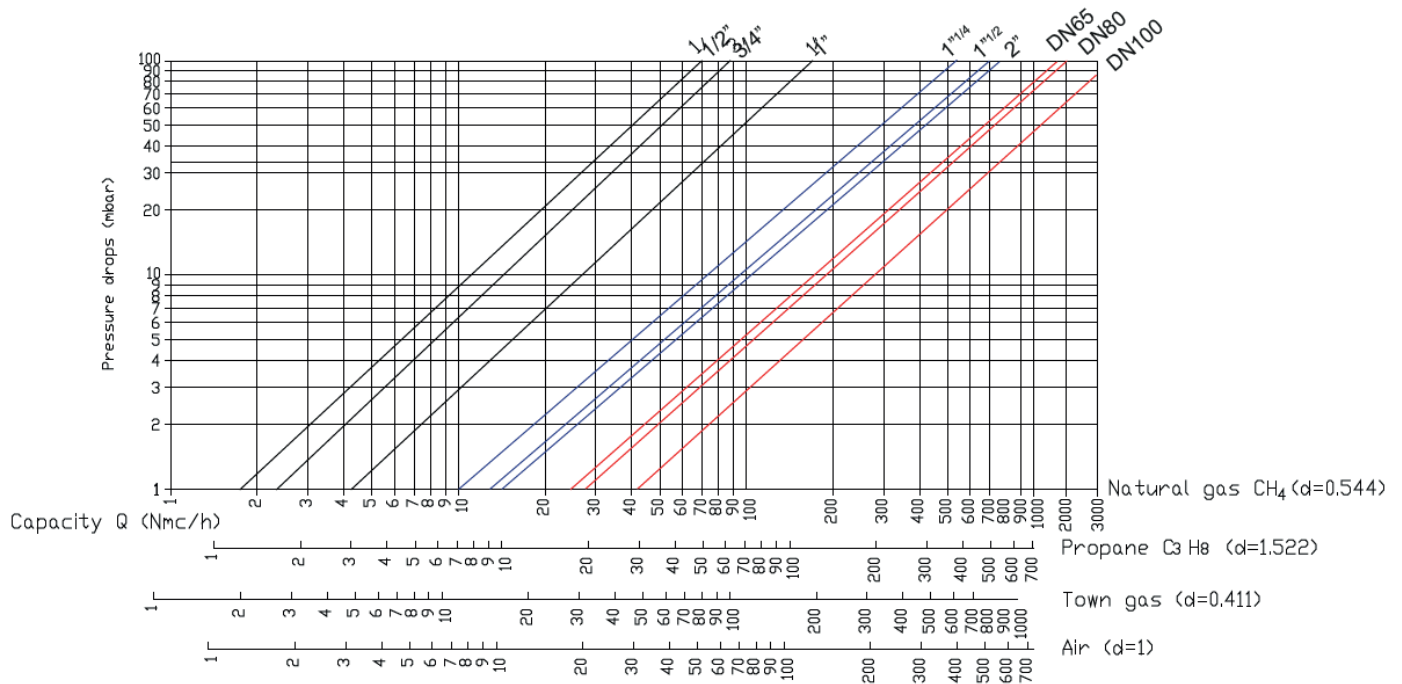
G **Cod. 8.180.1598:** use the connector which acts as a "retarder" and "rectifier", already mounted on the coil.



5. Maintenance

- The solenoid valve's operation should be checked periodically. Should disassembly be necessary, make sure there is no gas under pressure inside the valve and that it is not connected to the power supply before starting. All maintenance operations should be carried out by qualified personnel.


6. Loss of Head Diagram



7. Warranty

- For further details of Albion Valves (UK) Ltd warranty period, please refer to Albion Valves (UK) Ltd 'Conditions of Sale' available on our website.

Directive 2012/19/UE (Waste Electrical and Electronic Equipment - WEEE):



Information for users:
The crossed out wheeled bin label that can be found on your product indicates that this product should not be disposed of via the normal household waste stream. To prevent possible harm to the environment or human health please separate this product from other waste streams to ensure that it can be recycled in an environmentally sound manner. For more details on available collection facilities please contact your local government office or the retailer where you purchased this product.

WEEE

The manufacturer reserves the right to make any aesthetic or functional modification to the product without prior notice at any time.



About Albion Valves (UK) Ltd

Albion has been supplying valves and fittings to the building services and industrial markets for the past 40 years.

Albion was created with the sole purpose of providing quality products at an affordable price. With a growing reputation for quality and reliability, Albion is now an established brand providing the industry with a trusted alternative to premium-priced products.

Our commitment to setting the highest standards in all areas of our business means, if you're looking for quality, service, delivery and choice — you'll find it's all at Albion.

Quality

Whatever you need, you can rest assured that if it comes from Albion it has been designed and manufactured to deliver optimum performance and is accredited with the necessary approvals. Our in-house quality department are always on hand too!

Service

We pride ourselves on our customer service – we have even won awards for it! Our cradle to grave approach means you will never be on your own!

Delivery

We know that time is money, and when a priority project depends on a part you can trust Albion to deliver – next day for all orders placed before 4:00PM.

Choice

We may have started out with a single brass ball valve, but our range has grown substantially since and we now consider ourselves to be a 'One Stop Shop' with our comprehensive range. It is becoming more and more apparent to the industry, that it really is all at Albion.