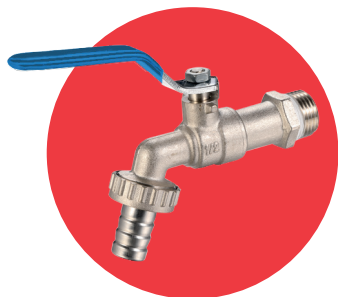


# ART 1270

## Bibcock Tap with Hose Union



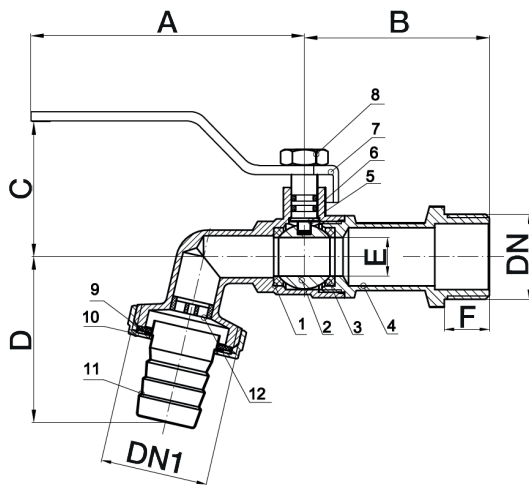
### Technical data

Max pressure: 16 Bar

Working temp: 0°C to 110°C

### Features

- Screwed BSP Parallel (ISO 228/1)



Size	1/2" x 3/4"	3/4" x 1"	1" x 1.1/4"
DN	1/2"	3/4"	1"
DN1	3/4"	1"	1.1/4"
A	85.0	85.0	106.5
B	52	58	59
C	37	52	55
D	46.5	49.0	54.5
E	10.0	12.0	13.5
F	12	14	14
Kgs	0.18	0.25	0.38

N.	Part Name	Materials	N.	Part Name	Materials
1	Body	DZR Brass CW602N	7	Handle	Carbon Steel Q235A
2	Ball	Leaded Brass CW624N	8	Screw	Stainless Steel 304
3	Seat Brass	PTFE	9	Washer Ring	NBR
4	Bonnet	DZR Brass CW602N	10	Union Nut	Brass CW624N
5	Stem	Leaded Brass CW624N	11	Hose Tail	Stainless Steel 304
6	O-Ring	NBR	12	Insert	PP (White)

V1. Dimensions in mm

This data sheet is designed as a guide and should not be regarded as wholly accurate in every detail. We reserve the right to amend the specification of any product without notice.