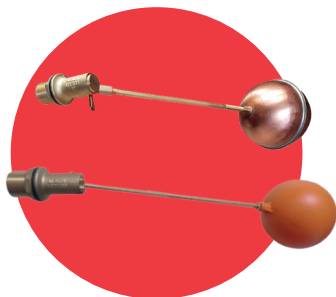


ART 1100W

Equilibrium Float Valve



Features

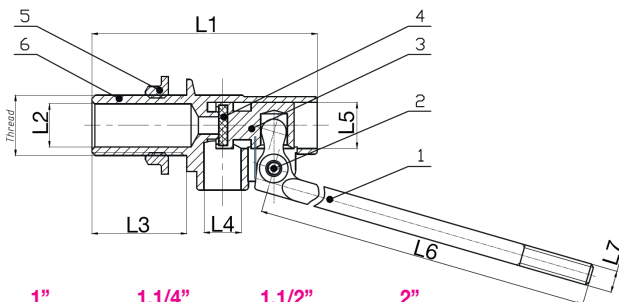
- Screwed BSP Parallel (ISO 228/1)
- Supplied with locknut
- Machined fixed flange on valve body
- No jam single lever action
- Replaceable seals
- Copper and plastic float option available



Technical data

Max pressure: 16 Bar

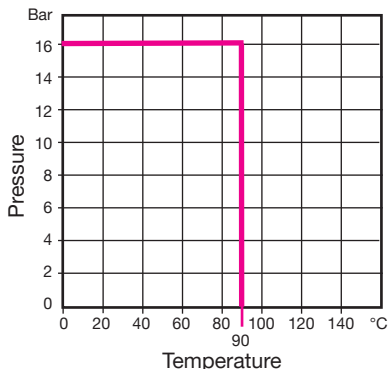
Working temp: -20°C to +90°C



DN	1/2"	3/4"	1"	1.1/4"	1.1/2"	2"
L1	78.5	78.5	92.5	167.0	167.0	167.0
L2	15.0	20.0	25.5	34.5	39.5	50.5
L3	33.0	33.0	36.5	52.0	52.0	52.0
L4	13.0	13.0	18.0	32.5	32.5	32.5
L5	16.0	16.0	26.0	22.5	22.5	22.5
L6	230.0	275.5	325.0	445.0	445.0	445.0
L7	M8	M8	M10	M10	M10	M12
Kgs (Excl ball)	0.23	0.32	0.59	1.41	1.47	1.54

N. Part Name Materials

1	Arm	Brass HPb57-3
2	Plunger	Brass HPb57-3
3	Piston	Brass HPb57-3
4	Washer	EPDM
5	Back Nut	Brass HPb57-3
6	Body	Brass HPb57-3



ART 1100W

Equilibrium Float Valve



Size	Pressure	Flow	Pressure	Flow
1/2"	50psi	20 gpm	100psi	31 gpm
3/4"	50psi	40 gpm	100psi	60 gpm
1"	50psi	100 gpm	100psi	150 gpm
1.1/4" - 2"	50psi	250 gpm	100psi	348 gpm

Float Ball Sizes - Polyethylene and Copper

Size	1/2"	3/4"	1"	1.1/4"	1.1/2"	2"
	4.1/2"	5"	6"	8"	8"	10"

Plastic Floats - Polyethylene

Diameter Size	4 1/2"	5"	6"	8"	10"
Kgs	0.08	0.11	0.15	0.35	0.65

Copper Floats

Diameter Size	4 1/2"	5"	6"	8"	10"
Kgs	0.10	0.13	0.26	0.52	0.95