

ART 140GB

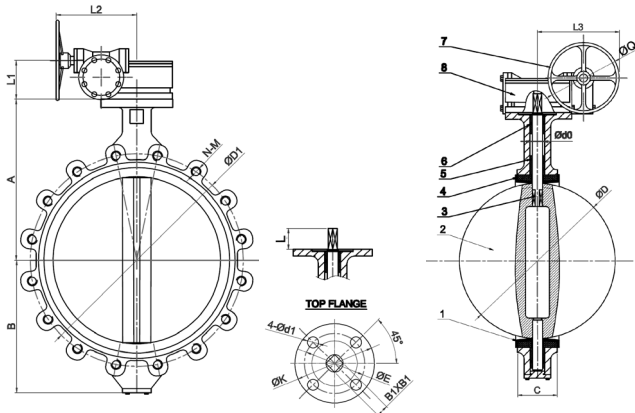
DN400-600 Ductile Iron Butterfly Valve Lugged & Tapped



Available on
bimstore.co

Features

- Flanged mounting PN16 only
- BS5155 (BS EN 593)
- ISO 5211 direct mount
- Lockable handle
- Epoxy coat finish



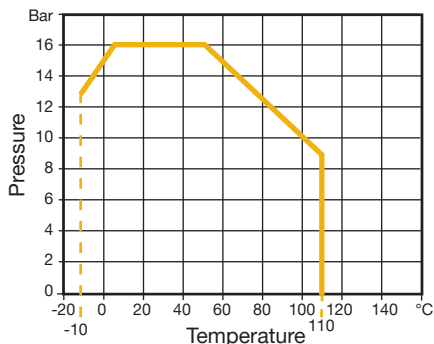
Technical data

Max pressure: 16 Bar
Working temp: -10°C to +110°C

DN	400	450	500	600
A	405	422	480	562
B	325	343	395	585
C	102	114	127	152
D	389.6	440.5	491.6	592.5
L	50	50	60	60
B1	27	27	36	36
D0	37.95	42.86	45.72	53.98
D1	525	585	650	770
N-M	16-M27	20-M27	20-M30	20-M33
L1	110	110	110	128
L2	254	254	254	301
L3	326	326	326	392
Q	290	290	290	385
Kv	14043	18599	23914	36946
Kgs	104.8	128.0	154.0	246.0

N. Part Name Materials

1	Body	Ductile Iron GGG40
2	Disc	Stainless Steel 316
3	Shaft	Stainless Steel 410
4	Seat	EPDM
5	Bushing	PTFE
6	O-Ring	NBR
7	Handwheel	Cast Iron
8	Gear	Cast Iron



V2. Dimensions in mm

This data sheet is designed as a guide and should not be regarded as wholly accurate in every detail. We reserve the right to amend the specification of any product without notice.