

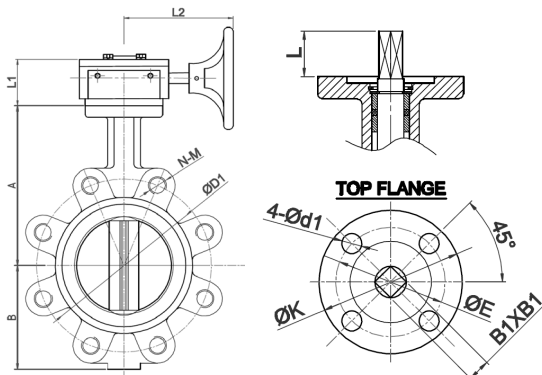
ART 142GB PN25

Ductile Iron Butterfly Valve Lugged & Tapped



Features

- Flanged mounting PN25 only
- BS5155 (BS EN 593)
- ISO 5211 direct mount
- Epoxy coat finish



Technical data

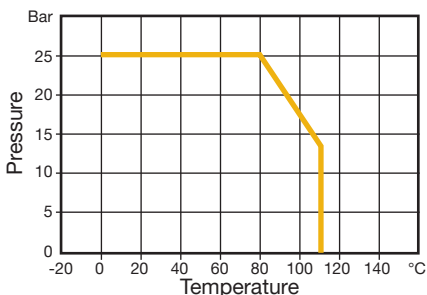
Max pressure: 25 Bar

Working temp: 0°C to +110°C

DN	2"	2 1/2"	3"	4"	5"	6"	8"	10"	12"
A	140	150	158	176	190	211	235	265	305
B	80	89	95	114	127	139	175	203	242
C	42	44.7	46	52	54.4	55.8	60.6	65.6	76.9
D	53	65	79	104	124	156	203	251	302
d0	12.6	12.6	12.6	15.77	18.92	18.92	22.1	28.45	31.6
B1	11	11	11	11	14	14	17	22	22
L	26	26	26	26	28	28	36	36	38
K	90	90	90	90	90	90	125	125	125
E	70	70	70	70	70	70	102	102	102
4-d1	4-10	4-10	4-10	4-10	4-10	4-10	4-12	4-12	4-12
D1	125	145	160	190	220	250	310	370	430
N-M	4-M16	8-M16	8-M16	8-M20	8-M24	8-M24	12-M24	12-M27	16-M27
L1	62	62	62	62	62	62	76	76	75
L2	156	156	156	156	156	156	208	208	186
L3	106.5	106.5	106.5	106.5	106.5	106.5	178.5	178.5	177
Q	147	147	147	147	147	147	278	278	278
Torque	19.5	22.1	29.9	53.3	84.5	136.5	249.6	419.9	637.0
Kv	90.97	191.44	360.93	892.66	995.29	1705.87	3182.92	4961.15	9252.07

N. Part Name Materials

1	Body	Ductile Iron EN GJS 400-15
2	Disc	Nickel Plated Ductile Iron EN GJS 400-15
3	Shaft	Stainless Steel 431
4	Seat	EPDM
5	Bushing	PTFE
6	O-Ring	NBR
7	Handwheel	Cast Iron EN GJL 250
8	Gear	Cast Iron EN GJL 250
9	Pin	Stainless Steel 420



V1. Dimensions in mm

This data sheet is designed as a guide and should not be regarded as wholly accurate in every detail. We reserve the right to amend the specification of any product without notice.