

# ART 185

## PN16 Cast Iron Flanged 'Y' Type Strainer



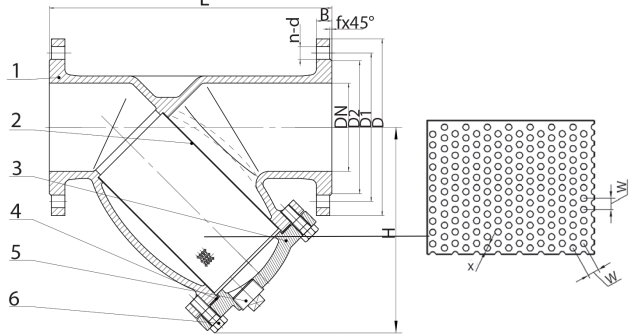
### Features

- Flanged mounting PN16 only
- Flange conforms to BS EN1092 PN16
- BS EN558-1 Series 1
- DN50 & DN65 square drain port
- DN80-DN600 circular drain port
- DN200+ will come with Tapping Points as standard. Please see ART 185TP for further information.

### Technical data

Max pressure: 16 Bar

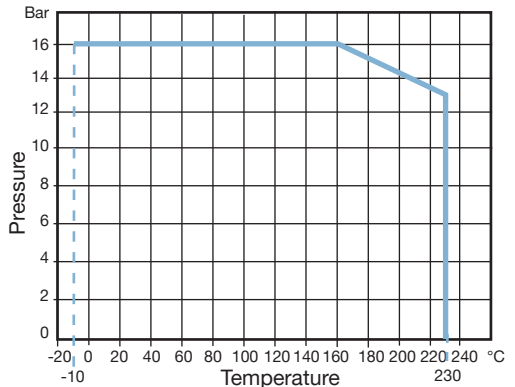
Working temp: -10°C to +230°C



| DN  | 50   | 65   | 80   | 100  | 125  | 150  | 200   | 250   | 300   | 350   | 400   | 450   | 500   | 600    |
|-----|------|------|------|------|------|------|-------|-------|-------|-------|-------|-------|-------|--------|
| L   | 230  | 290  | 310  | 350  | 400  | 480  | 600   | 730   | 850   | 980   | 1100  | 1200  | 1250  | 1450   |
| D   | 165  | 185  | 200  | 220  | 250  | 285  | 340   | 405   | 460   | 520   | 580   | 640   | 715   | 840    |
| D1  | 125  | 145  | 160  | 180  | 210  | 240  | 295   | 355   | 410   | 470   | 525   | 585   | 650   | 770    |
| D2  | 99   | 118  | 132  | 156  | 184  | 211  | 266   | 319   | 370   | 438   | 490   | 548   | 609   | 720    |
| B   | 20   | 20   | 22   | 24   | 26   | 26   | 30    | 32    | 32    | 36    | 38    | 40    | 42    | 48     |
| f   | 3    | 3    | 3    | 3    | 3    | 3    | 3     | 3     | 4     | 4     | 4     | 4     | 4     | 5      |
| n-d | 4-19 | 4-19 | 8-19 | 8-19 | 8-19 | 8-23 | 12-23 | 12-28 | 12-28 | 16-28 | 16-31 | 20-31 | 20-34 | 20-37  |
| H   | 156  | 176  | 199  | 240  | 292  | 320  | 399   | 516   | 568   | 648   | 759   | 777   | 825   | 944    |
| X   | 1.5  | 1.5  | 1.5  | 1.5  | 1.5  | 1.5  | 1.5   | 1.5   | 1.5   | 3     | 3     | 5     | 5     | 5      |
| W   | 2.5  | 2.5  | 2.5  | 2.5  | 2.5  | 2.5  | 2.5   | 2.5   | 2.5   | 5     | 5     | 7     | 7     | 7      |
| Kv  | 60   | 93   | 136  | 229  | 363  | 502  | 815   | 1382  | 1928  | -     | -     | -     | -     | -      |
| Kgs | 10.1 | 14.0 | 20.3 | 26.6 | 39.8 | 57.0 | 97.0  | 164.0 | 234.0 | 312.0 | 444.0 | 560.0 | 652.0 | 1072.0 |

### N. Part Name Materials

|   |            |                               |
|---|------------|-------------------------------|
| 1 | Body       | Cast Iron BS EN1561 EN-GJL250 |
| 2 | Screen     | Stainless Steel 304           |
| 3 | Bonnet     | Cast Iron BS EN1561 EN-GJL250 |
| 4 | Gasket     | Graphite                      |
| 5 | Screw Plug | Cast Brass BS2874 CZ122       |
| 6 | Bolt       | Steel BS970 43A               |



V2 Dimensions in mm

This data sheet is designed as a guide and should not be regarded as wholly accurate in every detail. We reserve the right to amend the specification of any product without notice.